



East West University

**Thesis Paper
On
Simulation Based EIGRP over OSPF Performance Analysis**

By

Rumana Ali Esha (2013-2-80-018)

Sharaban Tahura (2013-2-80-031)

Submitted to the

Department of Electrical and Electronic Engineering

Faculty of Science and Engineering

East West University

**In partial fulfillment of the requirements for the degree of
Bachelor of Science in Electrical and Electronic Engineering**

(B.Sc. in EEE)

Spring, 2018

Simulation Based EIGRP over OSPF Performance Analysis

By

Rumana Ali Esha (2013-2-80-018)

Sharaban Tahura (2013-2-80-031)

Submitted to the

Department of Electrical and Electronic Engineering

Faculty of Science and Engineering

East West University

In partial fulfillment of the requirements for the degree of

Bachelor of Science in Electrical and Electronic Engineering

(B.Sc. in EEE)

Spring, 2018

Approved By

Thesis Advisor

Fakir Mashuque Alamgir

Chairperson

Dr. Mohammad Mojammel Al Hakim

Approval

This paper titled “Simulation Based EIGRP Over OSPF Performance Analysis” has been submitted by Rumana Ali Esha (2013-2-80-018) Sharaban Tahura (2013-2-80-031), session Spring, 2018 has been accepted as satisfactory in partial fulfillment of requirement of the degree of Bachelor of Science in Electrical and Electronics Engineering on April, 2018.

Dr. Mohammad Mojammel Al Hakim

Professor and Chairperson

Department of Electrical and Electronic Engineering

East West University

Dhaka, Bangladesh

Abstract

Routing protocol is taking a vital role in the modern communication networks. A routing protocol is a protocol which is responsible to determine how routers communicate with each other and forward the packets through the optimal path to travel from a source node to a destination node. Among the routing protocols, Enhanced Interior Gateway Routing Protocol (EIGRP) and Open Shortest Path First (OSPF) are the pre-eminent routing protocols. EIGRP is a Cisco proprietary distance-vector protocol based on Diffusing Update Algorithm (DUAL). On the other hand, OSPF is a link-state interior gateway protocol based on Dijkstra algorithm (Shortest Path First Algorithm). In the context of routing protocol performance, each of them has different architecture, adaptability, route processing delays and convergence capabilities. This thesis presents a simulation based comparative performance analysis between OSPF and EIGRP for real time applications by using OPNET. In order to evaluate OSPF and EIGRP's performance, we have designed three network models where 1st, 2nd and 3rd network model is configured respectively with OSPF, EIGRP and combination of EIGRP and OSPF. Our evaluation of proposed routing protocols is performed based on the quantitative metrics such as Convergence Time, Jitter, End-to-End delay, Throughput and Packet Loss through the simulated network models. The evaluation results show that EIGRP routing protocol provides a better performance than OSPF routing protocol and EIGRP_OSPF performs better than other two routing protocols for real time applications.

Keywords: EIGRP, OSPF, LSA, OPNET.

Acknowledgement

At first, we would like to be so thankful to our creator Almighty Allah for providing us mental and physical strength to conduct the research works and letting us successfully complete the entire research.

Secondly, we are so grateful to our honorable supervisor Fakir Mashuque Alamgir, Senior Lecturer, Dept. of Electrical and Electronics Engineering, East West University for his extensive supervision, guidance and patience from very early stage our work.

Yes, we have put forward a lot of effort here. However, we have very frequently sought help from many individuals and organizations. We thankfully acknowledge their enormous contributions.

Lastly, we are also thankful to our family members and our friends for their constant and silent mental support and encouragement.

Authorization Page

This is to certify that this thesis is our original work. No part of this work has been submitted elsewhere partially or fully for the award of any other degree or diploma. Any material reproduced in this project has been properly acknowledged.

Ruamana Ali Esha

Sharaban Tahura

We further authorize East West University to reproduce this project report by photocopy or other means, in total or in part, at the request of other institutions or individuals for purpose of scholarly research.

Ruamana Ali Esha

Sharaban Tahura

East West University

Authors

Dhaka, Bangladesh,

April, 2018

TABLE OF CONTENTS

Approval.....	1
Abstract.....	2
Acknowledgement.....	3
Authorization Page.....	4
Table of contents.....	5
List of Figures.....	8
List of Tables.....	10
CHAPTER1: Introduction.....	11
1.1 Introduction.....	11
1.2 Motivation.....	12
1.3 Problem Statement and Main Contribution.....	13
1.4 Disposition.....	13
CHAPTER 2: Technical Aspects of Routing Protocols.....	14
2.1 General Aspects.....	14
2.2 Characteristics of Routing Protocols.....	14
2.3 Metrics and Routing.....	15
2.3.1 Metrics.....	15
2.3.2 Purpose of a Metric.....	15
2.3.3 Metric Parameters.....	16
2.4 Classification of Routing Protocols.....	17
2.5 Static versus Dynamic Routing.....	17
2.6 Classful and Classless Routing Protocols.....	17
2.6.1 Classful Routing and Classless Routing.....	17
2.7 Link State Routing.....	18
2.7.1 Characteristics of LSR.....	19
2.7.2 Methods of Routing.....	19
2.7.3 Advantages and Disadvantages of LSR.....	19
2.8 Distance Vector Routing.....	20
2.8.1 Characteristics of Distance Vector Routing.....	21
2.8.2 Advantages and Disadvantages of DV Routing.....	21
CHAPTER 3: Open Shortest Path First.....	23
3.1 Background.....	23
3.2 OSPF Packet Header.....	23
3.2.1 Version.....	23
3.2.2 Type.....	23
3.2.3 Router ID.....	23
3.2.4 Area ID.....	23
3.2.5 Checksum.....	23
3.2.6 Au Type.....	24

3.2.7 Authentication.....	24
3.3 OSPF Packet Types.....	24
3.4 OSPF Area.....	26
3.4.1 Backbone Area.....	26
3.4.2 Stub Area.....	27
3.4.3 Totally Stub Area.....	28
3.4.4 Not-So-Stubby Area.....	28
3.4.5 Totally Not-So-Stubby Area.....	28
3.5 OSPF Cost.....	29
3.6 OSPF Router Types.....	29
3.7 OSPF and Route Summarization.....	30
3.8 Link State Advertisement.....	32
3.9 Shortest Path First Algorithm.....	33
3.10 OSPF Convergence.....	35
3.11 Advantages and Disadvantages of OSPF.....	35
CHAPTER 4: Enhanced Interior Gateway Routing Protocol.....	37
4.1 Introduction.....	37
4.2 Protocol Structure.....	37
4.3 Method of EIGRP.....	38
4.3.1 Neighbor Discovery/Recovery.....	38
4.3.2 Reliable Transport Protocol.....	39
4.3.3 Diffusion Update Algorithm.....	39
4.4 EIGRP Matrices.....	42
4.5 EIGRP Convergence.....	43
4.6 Advantages and Disadvantages of EIGRP.....	44
CHAPTER 5: Simulation.....	45
5.1 Introduction.....	45
5.2 Simulator.....	45
5.3 Structure of the OPNET.....	45
5.3.1 Hierarchical Structure.....	46
5.4 Design and Analysis in OPNET.....	48
5.5 Simulation.....	49
5.6 Network Topology.....	49
5.7 EIGRP Scenario.....	51
5.8 OSPF Scenario.....	52
5.9 EIGRP_OSPF Scenario.....	52
5.10 Measurements.....	53
5.11 Simulation Results and Analysis.....	53
5.12 Convergence Duration.....	54
5.13 Packet Delay Variation for Video Streaming.....	55
5.14 End to End Delay for Video Steaming.....	56
5.15 Traffic Sent for Video Streaming.....	57
5.16 Traffic Received for Video Streaming.....	58

Undergraduate Thesis Report

5.17 Voice Traffic (Jitter).....	59
5.18 End to End Delay.....	60
5.19 Traffic Sent/Received (bytes/sec).....	61
5.20 Throughput.....	62
CHAPTER 6: Conclusion and Future Work.....	63
Abbreviations.....	65
References.....	66

LIST OF FIGURES

Figure 3.1: Backbone Area.....	26
Figure 3.2: Stub Area.....	27
Figure 3.3: Inter-Area-Route summarization.....	30
Figure 3.4: External-Route summarization.....	31
Figure 3.5: Different types of link state advertisements.....	33
Figure 3.6: Shortest Path Tree.....	34
Figure 3.7: OSPF Network.....	35
Figure 4.1: DUAL placed in the network.....	41
Figure 4.2: Failure Link of Network Topology.....	41
Figure 4.3: Failure Link of Network Topology	42
Figure 4.4: Network topology of EIGRP	43
Figure 5.1: Network Domain.....	46
Figure 5.2: Node Domain.....	47
Figure 5.3: Process Domain	48
Figure 5.4: Designing Steps	48
Figure 5.5: Network Topology.....	49
Figure 5.6: Internal Infrastructure of Network Topology.....	50
Figure 5.7: EIGRP_OSPF network topology.....	52
Figure 5.8: Convergence Duration	54
Figure 5.9: Video streaming, packet delay variations.....	55
Figure 5.10: End to End Delay for Video Streaming.....	56
Figure 5.11: Video traffic Sent.....	57
Figure 5.12: Video Traffic Received.....	58
Figure 5.13: Voice conferencing for jitter.....	59

Figure 5.14: End to end delay for voice conferencing	60
Figure 5.15: Voice conferencing sent/received.....	61
Figure5.16: Throughput.....	62

LIST OF TABLES

Table 5.1: Average Value of Convergence Time.....	55
Table 5.2: Average Value of Packet Delay Variations.....	56
Table 5.3: Average Value of End to End Delay.....	57
Table 5.4: Average Value of Sent and Received for Video Traffic.....	58
Table 5.5: Average Value of Jitter for Voice Conferencing.....	59
Table 5.6: End to End Delay for Voice Conferencing.....	60
Table 5.7: Voice Traffic Sent and Received.....	61
Table 5.8: Throughput.....	62

CHAPTER 1: Introduction

1.1 Introduction

At present, computer communication networks are growing rapidly day by day. Today Internet is playing a vital role in communication networks. Communication technology facilitates users by providing user friendly services like file transferring, print sharing, video streaming and voice conferencing. Internet could be international system of interconnected computer networks. Communication networks square measure supported a technology that gives the technical infrastructure, where routing protocols are used to transmit packets across the Internet.

Routing protocols specify how routers are communicating with one another by spreading information. The router has previous information regarding the adjacent networks which may assist in selecting the routes between two nodes. There are different kinds of routing protocols within the IP networks. Three classes are common on IP networks as follows:

- 1) Interior gateway routing over link state routing protocols, such as IS-IS and OSPF.
- 2) Interior gateway routing over distance vector protocols, such as RIP, IGRP and EIGRP.
- 3) Exterior gateway routing, such as BGP v4 routing protocol.

The performance of every routing protocol is totally different from one another. Among all routing protocols we have chosen EIGRP and OSPF routing protocols for doing performance evaluation in a simulation based network model for real time application such as video streaming and voice conferencing. Enhanced Interior Gateway Routing Protocol (EIGRP) is an interior Gateway protocol, that is especially supported DUAL (Diffusing Update

Algorithm) to calculate the simplest route while not making routing table loops based on bandwidth and delay.

On the opposite hand OSPF is a robust link state interior gateway protocol. That is employed to allot routing info among associate autonomous system based on cost.

This thesis provides a simulation based mostly study on EIGRP over OSPF routing protocols. First of all, we designed two network scenarios where 1st and 2nd network scenarios are configured respectively with EIGRP and OSPF and simulated these network models with real time traffic to observe how the performance varies from EIGRP over OSPF Then we designed a network model, that is designed by using EIGRP and OSPF together and simulations were performed with real time traffic. We have a tendency to measure the performance supported different parameters like convergence time, jitter, delay variation, end-to-end delay and throughput. Estimation of the protocol performance is done by real time traffic such as video and voice conferencing.

We used Optimized Network Engineering Tool (OPNET) as a machine to investigate and to live the comparative performance of those routing protocols.

1.2 Motivation

Tactical IP networks have special requirements for a routing protocol. The most important ones are fast convergence, short end to end delay and the ability to recover from emergencies quickly [1]. The motivation behind the thesis is to get better performance in the case of selecting routing protocols among EIGRP and OSPF on the same network configuration for real time applications, such as video streaming and voice conferencing. We try to imply ideas that may outperform the various limitations of routing protocols. In terms of performance measurement of routing protocols, convergence times is concerned and as a performance metrics for real time applications are delay variation, end to end delay, jitter and throughput. Simulation and validation are carried out by using OPNET.

1.3 Problem Statement and Main Contribution

A routing protocol is considered to be operated at layer three of the Open System Interconnection model. Many types of routing protocols are widely used in the network. EIGRP supports only Cisco product. EIGRP is a Cisco proprietary distance-vector protocol based on Diffusing Update Algorithm (DUAL). However, the convergence time of EIGRP is quicker than other protocols and simple to configure. In distinction, OSPF is a link-state interior gateway protocol supported Dijkstra algorithm (Shortest Path First Algorithm). OSPF is not so much easy to configure. OSPF's negative side is it has difficult to configure network and high memory requirements.

A result more care about performance, measurement and verification is required, which calls for the contribution of this thesis work. Our first goal is increase our knowledge about routing protocols. Our second goal is to know about OPNET simulator and to implement our planned network models in OPNET. During this thesis, we consider two routing protocols EIGRP and OSPF with real time applications. Our analysis question is; how well EIGRP over OSPF performs for real time applications? We have done our research work into three steps First of all, we design a network model with OSPF and we implement OSPF and simulate the network model to observe the impact of using OSPF alone for real time applications. Secondly, in the same network scenario design a network model with EIGRP, simulate by using OPNET and observe the impact of using EIGRP alone for real time applications. Finally, we design a network model by implementing a combination of EIGRP and OSPF for real time traffic.

1.4 Disposition

This thesis consists of 6 chapters. Chapter 1 describes the background of the thesis work. Chapter 2 explains the basic technique of routing protocols. Chapter 3 describes the OSPF protocol structure and features in detail. Chapter 4 explains the EIGRP protocol structure, characteristics and features in detail. Chapter 5 describes about the OPNET simulator and simulation results. Chapter 6 concludes the entire thesis and the references.

CHAPTER 2: Technical Aspects of Routing Protocols

2.1 General Aspects

In IP networks, a routing protocol usually carries packets by transferring them between different nodes. When considering a network, routing takes place hop by hop.

Routing protocols have the following objectives:

- To communicate between routers
- To construct routing tables
- To make routing decisions
- To learn existing routes
- To share information amongst neighbor's routers.

The routers are used mainly by connecting many networks and providing packet forwarding to different networks. For routing protocol, the main idea is to establish the most effective path from the source to destination. A routing algorithm employs several metrics, which are used to resolve the best method of reaching to a given network. The conventional routing protocol is usually used for wireless communication networks such as Wireless Ad-Hoc Networks, Wireless Mesh Networks etc. In this chapter, we will discuss about the basic techniques of different routing protocols.

2.2 Characteristics of Routing Protocols

The characteristics of routing protocols are:

➤ Convergence

The time needed for all routers in the network should be small so that the routing specific information can be easily known.

- **Loop Free**
The routing protocol should ensure a loop free route. The advantage of using, such routes are to efficiently obtain the available bandwidth.

- **Best Routes**
The routing protocol selects the best path to the destination network.

- **Security**
The protocol ensures a secured transmission of the data to a given destination.

2.3 Metrics and Routing

2.3.1 Metrics

The measurements of path cost usually depend on the metric parameters. Metrics are used in a routing protocol which allocates a cost for reaching the destination. Metrics determine the best path in case of multiple paths present in the same destination. There are different ways to calculate metrics for each routing protocol. For instance, OSPF uses bandwidth while RIP (Routing Information Protocol) uses hop count and EIGRP uses a combination of bandwidth and delay.

2.3.2 Purpose of a Metric

A metric is defined as a value utilized by the routing protocols, which is used to allocate a cost for reaching the destination. Metrics determine the best path in case of multiple paths present in the same destination. There are different ways to calculate metrics for each routing protocol. For instance, OSPF uses bandwidth while RIP (Routing Information Protocol) uses hop count and EIGRP uses a combination of bandwidth and delay.

2.3.3 Metric Parameters

A metric is measured to select the routes as a mean of ranking them from most preferred to least preferred. Different metrics are used by different routing protocols. In IP routing protocols, the following metrics are used mostly [3].

- **Hop count:** It counts the number of routers for which a packet traverses in order to reach the destination.
- **Bandwidth:** A bandwidth metric chooses its path based on bandwidth speed thus preferring high bandwidth link over low bandwidth.
- **Delay:** Delay is a measure of the time for a packet to pass through a path. Delay depends on some factors, such as link bandwidth, utilization, physical distance traveled and port queues.
- **Cost:** The network administrator or Internet Operating System (IOS) estimates the cost to specify an ideal route. The cost can be represented either as a metric or a combination of metrics.
- **Load:** It is described as the traffic utilization of a defined link. The routing protocol use load in the calculation of a best route.
- **Reliability:** It calculates the link failure probability and it can be calculated from earlier failures or interface error count.

2.4 Classification of Routing Protocols

The classifications of routing protocols are:

- Static and dynamic routing protocols.
- Classful and Classless routing protocols.
- Distance Vector and Link State routing protocols.

2.5 Static versus Dynamic Routing

Static routing is a routing process whose routing table follows a manual construction. The routing table needs to be updated by the network administrator when a new network is added and discarded in the autonomous system. It is mainly used for small networks. Performance degradation is the major drawback of static routing protocol. Its simple functionality and less CPU processing time are also an advantage but poor performance experienced when network topology changes, complexity of reconfiguring network topology changes and difficult manual setup procedure are still major drawbacks of static routing. On the other hand, dynamic routing is a routing protocol in which the routing tables are formed automatically. The best route procedure is conducted based on bandwidth, link cost, hop number and delay. Dynamic routing protocol has the advantage of shorter time spent by the administrator in maintaining and configuring routes. However, it has diversity problems like routing loops and route inconsistency.

2.6 Classful and Classless Routing Protocols

2.6.1 Classful Routing and Classless Routing

In Classful routing, subnet masks perform the same functionality all through the network topology and this kind of protocol does not send information of the subnet mask. Routers use a similar subnet mask that is directly connected to the interface of the main network. Once the

router isn't directly connected to the interface of a similar major network it applies Classful subnet mask to the route. In classless routing, the subnet mask can be changed in network topology and routing updates are included. Most networks do not depend on classes for being allocated these days and also for determining the subnet mask, the value of the first octet is not used [3].

Classful routing protocols are not used widely because:

- It is not able to support Variable Length Subnet Masks (VLSM).
- It cannot include routing updates.
- It cannot be used in sub-netted networks.
- It is unable to support discontinuous networks.

2.7 Link State Routing

Link State Routing (LSR) protocols are also known as Shortest Path First (SPF) protocol where the function of each router is to determine the shortest path among the network. Each router maintains a database called link state database. It is mainly used to describe the topology of the Autonomous System. The Link State Advertisements (LSA) is responsible for exchanging the routing information among the nodes. The information of the neighbors is found in each LSA of a node and any change in link information of a neighbor's node is communicated through LSAs by flooding. Usually the nodes observe the change when the LSAs are received. Then the routes are calculated again and resent to their neighbors. As a result, all nodes can maintain an identical database where they describe the topology of the networks. These databases provide information of the link cost in the network and then a routing table is formed. This routing table carries information about the forwarded packets and also indicates the set of paths and their link cost.

LSR protocols have better flexibility. They are complicated compared to the DV protocols. Link state protocols make better routing decision and minimize overall broadcast traffic and are able to make a better routing decision.

2.7.1 Characteristics of LSR

The characteristics of LSR are:

- Each router keeps the same database.
- Large networks split into sub areas.
- Include multiple paths to destination.
- Faster non loop convergence.
- Support an accurate metrics.

2.7.2 Methods of Routing

Each router is responsible for accomplishing the following procedure [3].

- Each router learns about directly connected networks and its own links.
- Each router must have a connection with its directly connected adjacent networks and this is usually performed through HELLO packet exchanges.
- Each router must send link state packets which contains the state of the links.
- Each router stores a link state packet copy which is received by its neighbors.
- Each router independently establishes the least cost path for the topology.

2.7.3 Advantages and Disadvantages of LSR

In LSR protocols [5], routers calculate routes independently and are independent of the calculation of intermediate routers.

The important advantages of link state routing protocols are:

- They react very fast to change in connectivity.
- The packet size is very small.

Disadvantages of link state routing are:

- Huge memory requirements.
- More complex to configure.
- Ineffective under mobility for link changes.

2.8 Distance Vector Routing

Distance vector routing protocol represents routes as a function of distance and direction vectors. For each destination, a specific distance vector is maintained for all the nodes used in the network.

The distance vector comprises of destination ID, shortest distance and next hop. Here each node passes a distance vector to its neighbor and informs about the shortest paths. Thus they discover routes coming from the adjacent nodes and advertise those routes from their own side. Each node depends on its neighboring nodes for collecting the route information. The nodes are responsible for exchanging the distance vector and the time needed for this purpose can vary from 10 to 90 seconds. When a node in a network path accepts the advertisement of the lowest cost from its neighbors, the receiving node then adds this entry to the routing table.

For identifying the best path in a network, various route metrics are used to calculate the direction and the distance. For example, EIGRP uses the diffusion update algorithm (DUAL) for calculating the cost which is needed to reach a destination. Routing Information Protocol (RIP) uses hop count for choosing the best path and IGRP determines the best path by taking information of delay and bandwidth availability [6].

2.8.1 Characteristics of Distance Vector Routing

The characteristics of DV routing protocol are given below [3].

- DV routing protocol describes its routing table where all neighbors are directly connected with the table at a regular period.
- New information should put in each routing table instantly when the routes become unavailable.
- DV routing protocols are easy and efficient in smaller networks and thus require little management.
- DV routing is mainly based on hop counts vector.
- The DV algorithm is iterative.
- A fixed subnet mask length is used.

2.8.2 Advantages and Disadvantages of DV Routing

The advantages of DV routing protocols are:

- Easy and efficient in smaller networks.
- Easy configuration.
- Low resource usage.

DV routing protocol experiences the counting problem to infinity. In contrast, Bellman Ford algorithm cannot prevent routing loops and this is the main disadvantage of this [5].

Other disadvantages of DV routing protocols are:

- Loop creation.
- Slow convergence.
- Scalability problem.
- Lack of metrics.

CHAPTER 3: Open Shortest Path First

3.1 Background

Open Shortest Path First is a routing protocol that was developed by Interior Gateway Protocol (IGP) working group of the Internet Engineering Task Force for Internet Protocol (IP) networks. OSPF is a link state routing protocol that is used to distribute information within a single Autonomous System [3] [8]. In 1989, first version of OSPF was defined as OSPFv1 was published in RFC 1131. The second version of OSPFv2 was introduced in 1998 which was defined in RFC 2328. In 1999, the third version of OSPFv3 for IPv6 was released in RFC 2740 [9].

3.2 OSPF Packet Header

OSPF packets composed of nine fields. Each field is defined below:

3.2.1 Version: Types of OSPF version used

3.2.2 Type: Indicates OSPF packet type as follow:

- Hello.
- Database Description (DBD).
- Link State Request (LSR).
- Link State Update (LSU).
- Link State Acknowledgement (LSAck).

3.2.3 Router ID: Identifies ID of the source router.

3.2.4 Area ID: ID of the area to which packets belong.

3.2.5 Checksum: To check packets that are damaged or not damaged during transmission.

3.2.6 Au Type: Defines authentication type. Three type of authentication exist:

- 0- It means the routing information that is exchanged over the network is not authenticated.
- 1- Simple authentication allows a password.
- 2- Message digest authentication allows a cryptographic authentication.

3.2.7 Authentication: To authenticate OSPF packets such that router is able to participate in the routing domain.

3.3 OSPF Packet Types

There are five different types of OSPF packets in which each packet has a specific purpose in OSPF process [3] [12] that are briefly described below:

1. Hello: Hello packets are used to discover neighbor and establish adjacency with other OSPF routers. To make adjacency neighbors, routers must agree to be neighbors with each other. Hello packets prefer the Designated Router (DR) as well as Backup Designated Router (BDR) on multi access networks.

1.1 Network Mask: This field consists of 32 bits indicating that subnet mask is associated with the sending interface.

1.2 Hello Interval: Interval between sending routers that is measured by number of seconds to form adjacency. The Hello interval is 10 seconds for point to point and 30 seconds for broadcast media. It must be same for both routers.

1.3 Option: This field is defined for optional capability to support OSPF router in future.

1.4 Router Priority: Router priority is used in DR/BDR. If priority is set to 1, DR is elected as a higher priority router.

2. Router Dead Interval: Specifies the time interval to notify a neighbor as dead. Dead interval is traced to 4 times the Hello interval by default.

3. Designated Router: Router ID is set to DR. If no router ID is defined, there is no DR defined in the network.

4. Backup Designated Router: One router is elected as a BDR in the network. If the router ID is 0, no BDR exists in the network.

5. List of Neighbors: To figure out the lists, the OSPF router IDs of the neighboring routers.

6. Database Description: The database description (DBD) packet keeps the list of the sending routers link state database abbreviated and is used by receiving routers to verify against the local link state database.

7. Link State Request Packet: Having exchanged database description packets with neighboring routers, receiving routers can then request to know more information about any entry in the DBD by sending link state request (LSR).

8. Link State Update: Link state update is used to flood the link state advertisement to LSR. Seven different types of LSA are used in LSU.

9. Link State Acknowledgement Packet: Router sends a link state acknowledgement to confirm the sender as LSU is received reliably.

3.4 OSPF Area

OSPF areas are applied to build a hierarchical structure to maintain a flow of data packet in the network. OSPF will have at least one area in the network. If more than one area exists in the network, one of the areas must be a backbone area which is to be connected to all other areas. Areas are used to group of routers to exchange routing information locally. An area can be implemented in two ways: one is IP address format 0.0.0.0 and another is in decimal format 0. Backbone area is referred to the decimal number 0 or IP address 0.0.0.0. If any area is not connected to backbone directly, a virtual link would be needed. Area can be configured in several types that depend on the network requirements [3] [11].

3.4.1 Backbone Area

When coming up with a network, if one or more area is taken, one in all the areas should be a backbone area 0. All areas are directly connected to backbone area. Backbone area must be at the center of all areas so all areas introduce routing info into the backbone and consequently, backbone distributes info to different areas. Figure 3.1 depicts backbone area has association to all other areas [13].

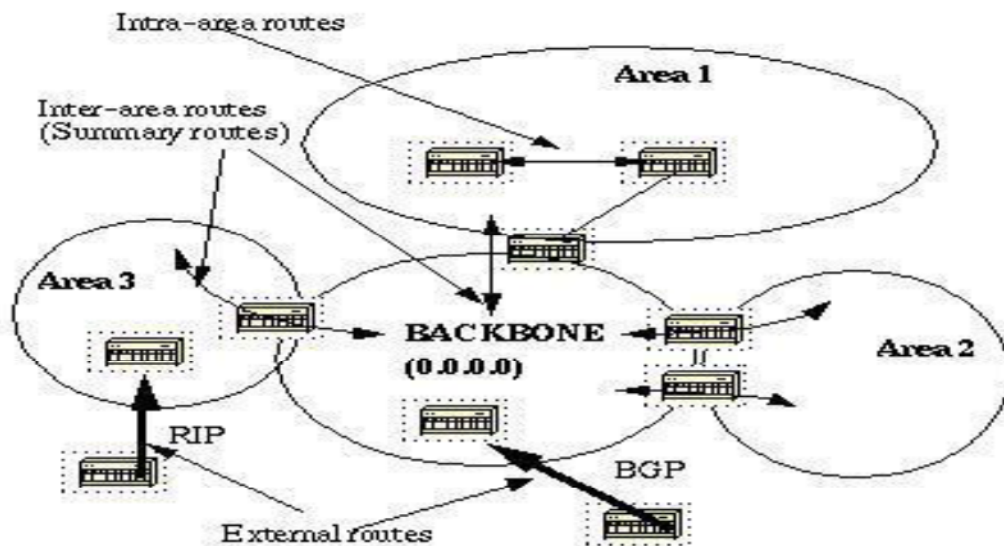


Figure 3.1: Backbone Area

3.4.2 Stub Area

Stub areas have some restrictions to receive routes from outside the autonomous systems. It receives only routes from within autonomous systems. Stub areas are physically connected to the backbone area. Some features are followed to associate with stub areas. These are:

- Intra area and Inter area routes are allowed in to the stub area.
- External LSAs cannot be flooded.
- Default router is defined into the stub area.

OSPF routers must be configured as stub routers inside the stub area. The reason is behind that when a stub area is configured, all interfaces that belong to this area start exchanging Hello packet to indicate that interface is stub.

In Figure 3.2, Area 2 is indicated as a stub Area that has no external LSAs to be injected. BGP routes that are assigned to router RTA are blocked at router RTC. Summary routes that are created for Area 1 are still received by Area 2 via router RTC. A default summary route is also injected into Area 1 through router RTC, which indicates that the router in Area 1 can send packets to the external Areas through router RTC [13].

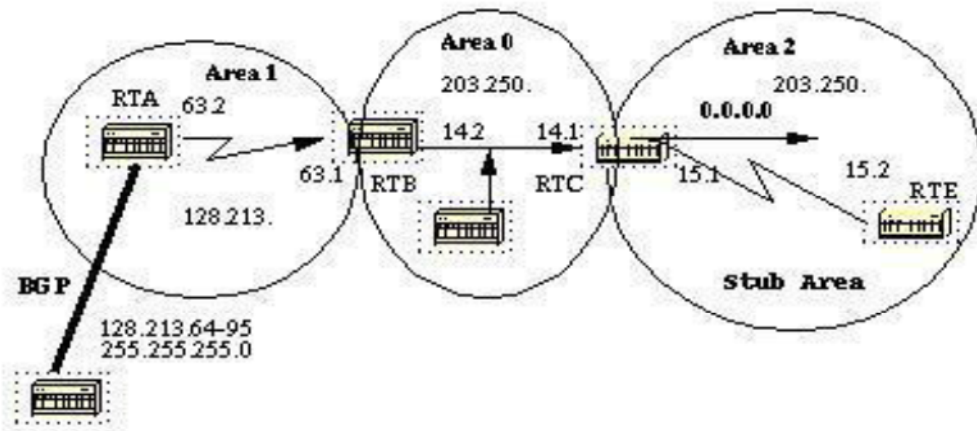


Figure 3.2: Stub Area

3.4.3 Totally Stub Area

A totally stubby area is physically connected to the backbone area. It receives only default route from an external area that must be the backbone area. Totally stubby area communicates with others network by default route. Some features are included as following [12]

- Does not allow Inter-area routes.
- Does not allow Intra –area routes.
- Default route is allowed as summary route.

3.4.4 Not-So-Stubby (NSSA) Area

This is an expansion of stub Area. If Area 2 is defined as stub Area, an external network IGRP routes needs to be redistributed. In this case, stub area does not allow connecting to IGRP route. To connect the IGRP routes into Area 2, Area 2 has to be changed to NSSA. IGRP routes can be redistributed into this Area as type7 LSAs. NSSA have the following characteristics [12].

- Type7 LSAs transmit external information.
- ABR Type7 LSAs are converted into Type5 LSAs at NSSA.
- Summary LSAs are allowed.
- External LSAs are not acceptable.

3.4.5 Totally Not-So-Stubby Area

An ASBR is included in the total stub area. If there is only one point of exit from area, it is named NSSA. Some behaviors of Totally NSSA are:

- Summary LSAs are not allowed.
- As a summary route, default route is inserted.
- External LSAs are not allowed.

The following properties are true [12].

- RIP routes are external routes that is not be able to inject into Area 2.
- At NSSA, summary LSAs of other Areas cannot be flooded into Area 2.
- ABR generates the default summary LSA.

3.5 OSPF Cost

The path cost of an interface in OSPF is called metric that indicates standard value such as speed. The cost of an interface calculated the basis of bandwidth. Cost is inversely proportional to the bandwidth. Higher bandwidth is attained with a lower cost [3].

Where the value of 10^8 is 100000000 in bps is called reference bandwidth based on by default. From the formula, it can be seen that cost would be found if reference bandwidth is divided by interface bandwidth.

3.6 OSPF Router Types

OSPF routers play a various role in the network where they are placed and the areas in which they are positioned.

Different types of OSPF routers are defined as follows [14] [15].

- **Internal routers:** Router that connects only one OSPF area is called internal router. All of its interfaces have connection within the same area. OSPF algorithm is run into IR.
- **Backbone routers:** Routers that have more than one interfaces in area 0 is called backbone area. Backbone routers can be considered as an ABR routers and internal routers.
- **Area border routers:** A router that connects multiple areas is called ABR. ABR is used to link at non backbone areas to the backbone. Summary link advertisement is generated by ABR.

- **Autonomous system boundary routers:** If a router which belong to OSPF area and has a connection to another OSPF area is called an ASBR. It acts like a gateway.
- **Designated routers:** A router at which all other routers have connection within an area and send Link State Advertisement is called DR. Designated routers keep all their Link State Updates and flood LSAs to other networks reliably. Every OSPF can have a DR and a Backup Designated Router (BDR). DR must have higher priority in the OSPF area.

3.7 OSPF and Route Summarization

Multiple routes are summarized into one single route. This summarization is completed by ABRs. This method is used to merge up the list of multiple routes into one route. Summarization is often done by considering between any two areas. It reduces routing table overhead and therefore the network size. The most purpose of summarization is to reduce the bandwidth and processing time. There are two kinds of route summarization which may be performed in OSPF. These are explained in below:

1. Inter-Area Route Summarization: The process of inter-area route summarization is done by ABRs to concern route in the Autonomous System. External routes are not injected into OSPF through redistribution. An example of summarization is shown in figure 3.4[13].

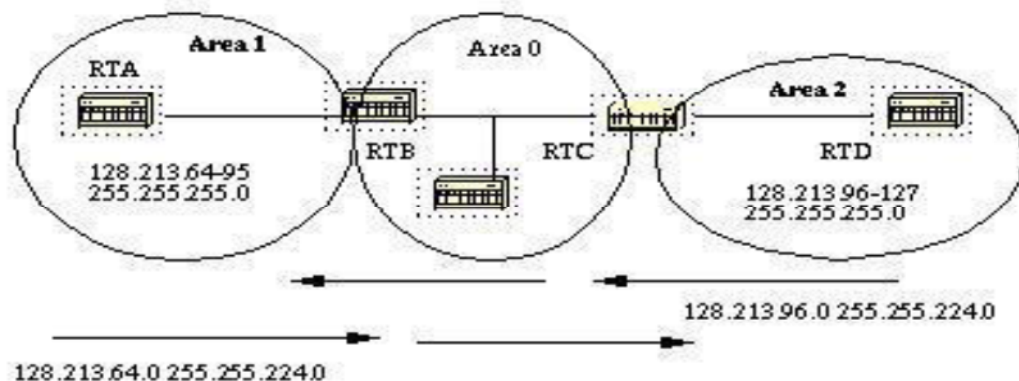


Figure 3.3: Inter-area-route summarization

Figure 3.3 shows that router RTB act as an ABR. RTB router is summarizing the subnet address from 128.213.64.0 to 128.213.95.0 into single range: 128.213.64.0 255.255.224.0 achieved by masking. In the same manner, RTC router is summarizing the subnet address from 128.213.96 to 127 into backbone providing a range 128.213.96.0 255.255.224.0.

2. External Route Summarization: External route summarization allows external routes to inject into OSPF via redistribution. The external ranges that are being summarized must be contiguous. The procedure of injecting between two routers is figured out below [13].

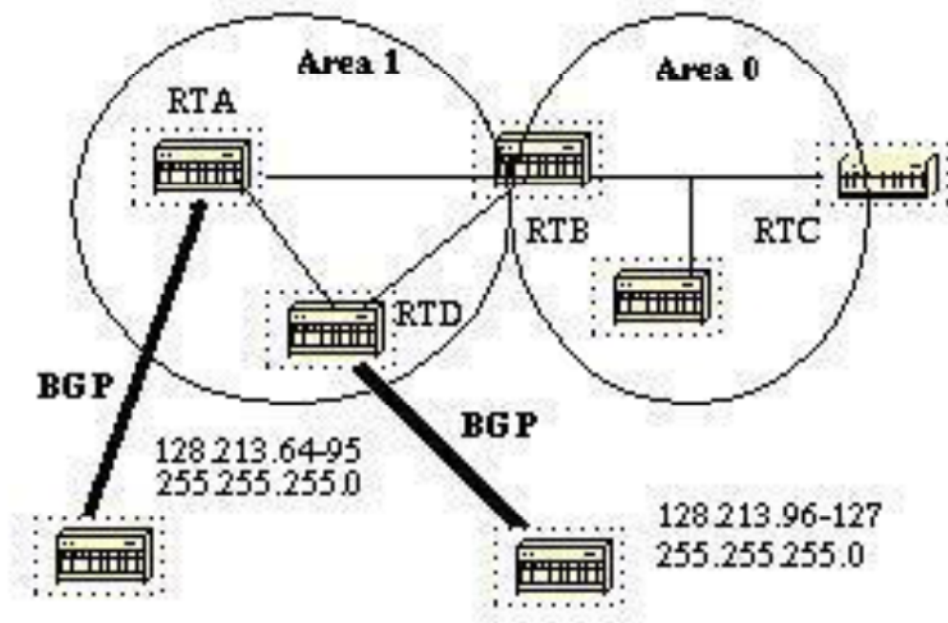


Figure 3.4: External route summarization

In the above diagram, it can be seen that there are two external routes that are injecting by RTA and RTD routers through redistribution. RTA router is summarizing address from 128.213.64-95 and RTD from 128.213.96-127. These addresses are summarized into one range: 128.213.65.0 255.255.224.0 for RTA and 128.213.96.0 255.255.224.0 for RTD.

3.8 Link State Advertisement (LSA)

Link State Advertisement is divided into five parts [13]. These are:

Type1. Router Link (RL): Generally router links are generated by all routers. It describes the state of the router interfaces for each area where it belongs to. LSAs are flooded within the routers area.

Type2. Network Link (NL): Designated Router (DR) is responsible for generating network links to explain a set of routers connected a particular network. Network links are flooded to the area.

Type3/4. Summary Links (SL): Summary links are generated by ABRs defining inter-area route. Summary links keep lists of other areas in the network belonging to the autonomous system. ABRs inject summary link from the backbone to other areas and other areas to the backbone. Backbone aggregates address between areas by summary link. Another type of summary links is generated by ASBRs. All routers in the network know the way to external route the AS.

Type5. External Links (EL): ASBRs injects external routes via redistribution to the autonomous system. This link is flooded to all areas but stub area.

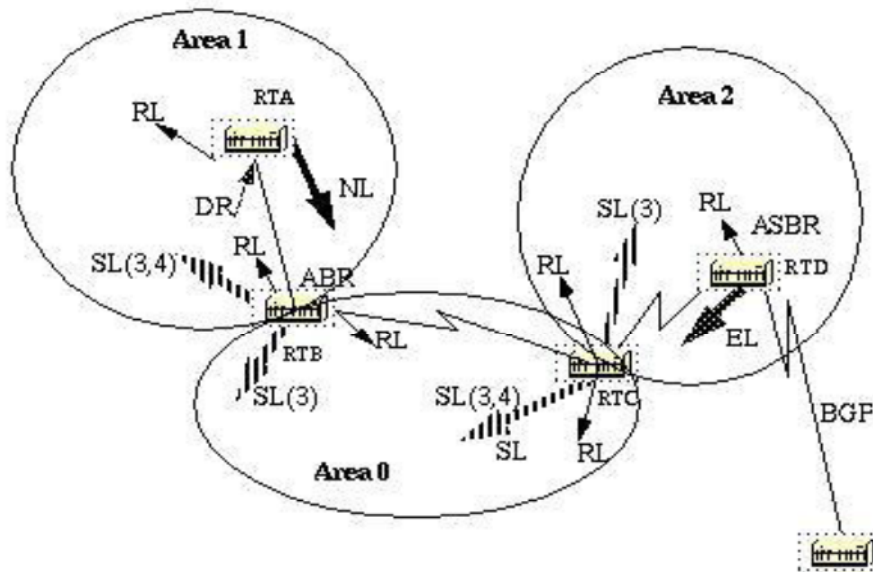


Figure 3.5: Different types of link state advertisements

3.9 Shortest Path First (SPF) Algorithm

OSPF is a link state routing protocol which uses a shortest path first algorithm to calculate the least cost path to all known destinations. Dijkstra algorithm is used for calculating the shortest path. Several procedures of this algorithm are given below:

- Any changes in the routing information, a link state advertisement is generated by a router. This advertisement provides all link states on that router.
- All routers exchange LSAs by flooding. Then link state update is received by each router and preserves a copy of link state database in it. This link state update propagates to all other routers.

- After creation of database of each router, routers start calculating shortest path tree to the destinations. In order to find the least, cost path, router uses Dijkstra algorithm. If any changes occurred in the OSPF network such as link cost, new network being added or deleted, Dijkstra algorithm is recalculated to find the least cost path.

Every router uses this algorithm at the root of the tree in order to find the shortest path on the basis of cost to reach the destinations. In figure 3.7 shows that a network diagram that is indicated with the interface cost to find out the shortest path [13].

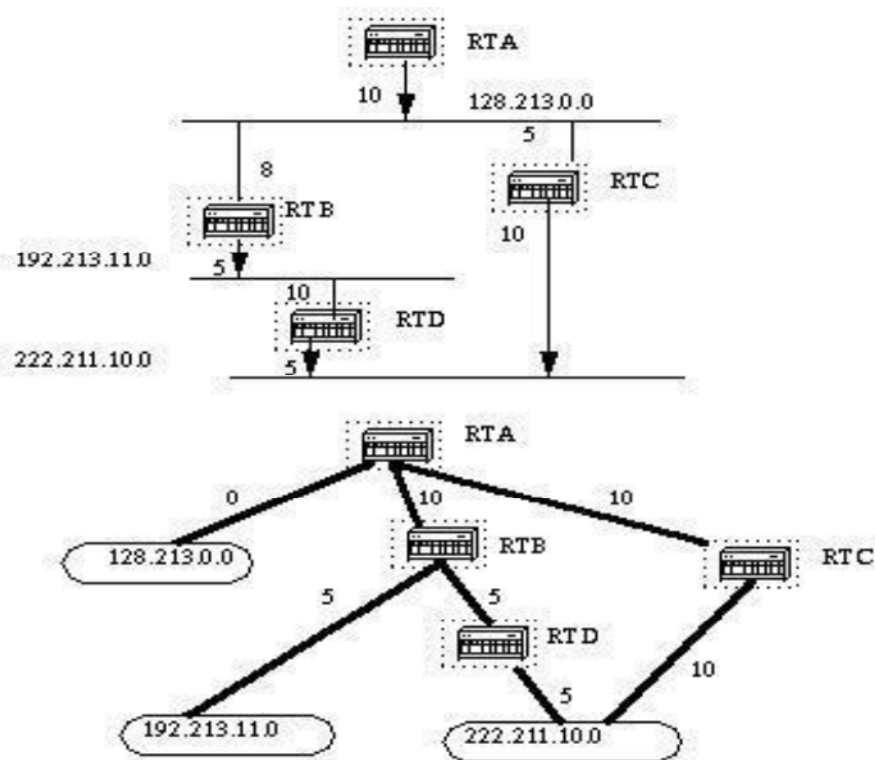


Figure 3.6: Shortest Path Tree

Undergraduate Thesis Report

- OSPF minimizes the routes and reduces the size of routing table by configuring area.
- Low bandwidth utilization.
- Multiple routes are supported.
- OSPF is based on cost.
- Support variable length subnet masking.
- It is suitable for large network.

Disadvantages of OSPF are:

- Difficult to configure.
- Link state scaling problem.
- More memory requirements. To keep information of all areas and networks connected within an area OSPF utilizes link-state databases. If the topology is complex, LSDB may become oversized which may reduce of the maximum size of an area.

CHAPTER 4: Enhanced Interior Gateway Routing Protocol

4.1 Introduction

Enhanced Interior Gateway Routing Protocol (EIGRP) is a CISCO proprietary protocol, which is an improved version of the interior gateway routing protocol (IGRP). EIGRP is being used as a more scalable protocol in both medium and large scale networks since 1992. EIGRP is said to be an extensively used IGRP where route computation is done through Diffusion Update Algorithm (DUAL). However, EIGRP can also be considered as hybrid protocol because of having link state protocol properties.

4.2 Protocol Structure

The protocol structure of EIGRP and each field is shortly described [3] [16] below:

- **Version:** Indicates the version of EIGRP.
- **Opcode:** The Operation code usually specifies the message types. For example: 1. Update, 2. Reserved, 3. Query, 4. Reply, 5. HELLO, 6. IPX-SAP.
- **Checksum:** Identifies IP checksum that is calculated by using the same checksum algorithm.
- **Flag:** First bit (0x00000001) is used to form a new neighbor relationship and is known as initialization bit. Second bit (0x00000002) is used in proprietary multicast algorithm and is termed as conditional receive bit. There is no function for the remaining bits.
- **Sequence and Acknowledge Number:** Passing messages securely and reliably.

- **Autonomous System:** It explains the independent system numbers which is found in EIGRP domain. The separate routing tables are found to be associated with each AS because a gateway can be used in more than one AS. This field is used for specifying the exact routing table.
- **Length:** Describes the length of the frame.

4.3 Method of EIGRP

EIGRP has four methods. They are:

- Neighbor Discovery/Recovery
- Reliable Transport Protocol (RTP)
- Diffusion Update Algorithm (DUAL)
- Protocol Dependent Modules (PDM)

4.3.1 Neighbor Discovery/Recovery

The neighbor discovery/recovery method allows the routers to gain knowledge about other routers which are directly linked to their networks [17] [18]. If the neighbors become unreachable, it is very important for them to be able to discover it. This is done by sending HELLO packets at intervals with a comparatively low overhead.

After receiving a HELLO packet from its neighbors, the router ensures that its neighboring routers are okay and the exchange of routing information is possible. In case of high speed networks, the default value for HELLO time is 5 seconds. Every HELLO packet advertises the holding time for maintaining the relationship. The default value of hold time is 15 seconds. If the EIGRP router does not accept any HELLO packets from the adjacent router

during the hold time interval, the adjacent router is removed from the routing table. On multipoint interfaces, HELLO/Hold time for networks with link speed T-1 is usually set to 60/180 seconds [19]. The convergence time lengthened with the extension of the HELLO interval time.

4.3.2 Reliable Transport Protocol

The sequence number is used to make the sorting in series for the routing updates information. RTP allows intermixed transmission of multicast or unicast packets [17] [18]. The certain EIGRP packets need to be transmitted reliably while others do not require [21].

Thus, by sending a single multicast HELLO, EIGRP informs receivers, that the packets are not needed to be acknowledged. But updating packets need to be acknowledged when they are sent [21]. RTP has a condition to transmit the multicast packet very fast when there are some unacknowledged packets left.

4.3.3 Diffusion Update Algorithm

The Diffusion Update Algorithm (DUAL) uses some provisions and theories which has a significant role in loop-avoidance mechanism as follows:

- **Feasible Distance (FD)**

The lowest cost needed to reach the destination is usually termed as the feasible distance for that specific destination.

- **Reported Distance (RD)**

A router has a cost for reaching the destination and it is denoted as reported distance.

- **Successor**

A successor is basically an adjacent router which determines the least-cost route to the destination network.

- **Feasible Successor (FS)**

FS is an adjacent router which is used to offer a loop free backup path to the destination by fulfilling the conditions of FC.

- **Feasible Condition (FC)**

After the condition of FD is met, FC is used in order to select the reasonable successor. The RD advertised by a router should be less than the FD to the same destination for fulfilling the condition.

In EIGRP, all route calculations are taken care by the DUAL. By using the topology table, DUAL can check if another best loop-free path is available. DUAL performs this when the successor path is unreachable. This path is recognized as feasible path. The reasonable path is selected if it satisfies the FC. The FC condition is possible to be satisfied if the neighbor's RD to a network is less than the RD of the local router. When a neighbor router meets the FC condition, it is then termed as FS.

In case of having no loop-free path in the topology table, re-calculation of the route must take place and then the DUAL inquire its neighbors [20]. This occurs during re-calculation for searching a new successor. Although, the re-calculation of the route does not seem to be processor-intensive, it may have an effect on the convergence time and consequently, it is useful for avoiding needless computations [17][18][21]. In case of having any FS, DUAL is used for avoiding any needless re-computation. If we consider Figure 4.1, we will be able to understand how the DUAL converges. This example aims at router K for the destination only. The cost of K (hops) coming from each router is presented below [18]:

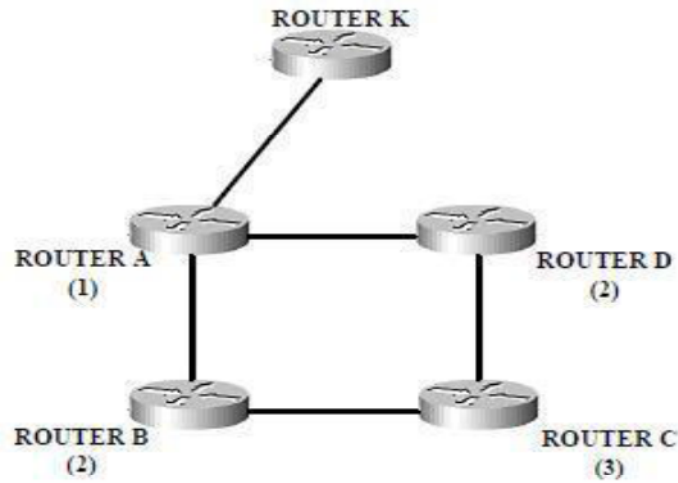


Figure 4.1: DUAL placed in the network

In Figure 4.2 [2], the link from A to D fails. When the loss of the FS occurs, a message goes to the adjacent router sent by D. This is received by C. Then C determines if there is any FS. In case of having no FS, C needs to begin a new route calculation by entering the active state. The cost from router C to router K is 3 and the cost from router B to router K is 2. Hence it is possible for C to switch to B. There is no effect on router A and B for this change. Thus they have no contribution in finding the reasonable successor.

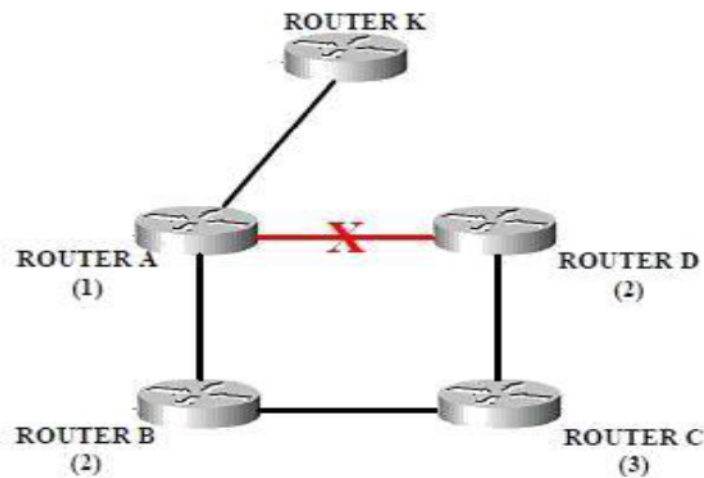


Figure 4.2: Failure Link of Network Topology

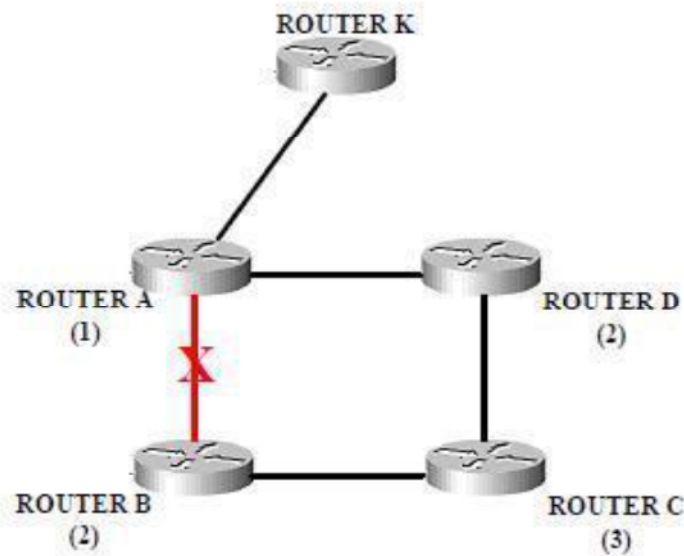


Figure 4.3: Failure Link of Network Topology

In figure 4.3 [2], the link from A to B fails. In this scenario, B has been lost its successor and thus no FS exists. Router C cannot be treated as FS to B, as the cost of C is more than the present cost of B. Consequently, the route computation is to be performed by B and for this, B sends a query to its neighbor C. In reply, C acknowledges the query because C does not need to perform the route calculation. And when B receives the reply, it assumes that all the adjacent routers have processed the link failure. B can choose C for getting the destinations as its successor with a cost of 4. It didn't have any effect on A and D for changing the topology and thus, C needed just to reply on B.

4.4 EIGRP Metrics

With the use of total delay and the minimum link bandwidth, it is possible to determine the routing metrics in EIGRP. Composite metrics, which consists of bandwidth, reliability, delay, and load are considered to be used for the purpose of calculating the preferred path to the networks. The EIGRP routing update takes the hop count into account though EIGRP does not include hop count as a component of composite metrics. The total delay and the minimum

bandwidth metrics can be achieved from values [19] which are put together on interfaces and the formula is used to compute the metric.

4.5 EIGRP Convergence

We assume in figure 4.4, that the link from R3 and R5 goes down and at the same time R3 identifies the failure of the link. There is no FS present in the topology database and hence the role of R3 is to be entered into the active convergence R4 and R2.

On the other hand, are the only neighbors to R3. Given that, there is no availability of route with lower FD, R3 sends a message to both R4 and R2 for gaining a logical successor. R2, for acknowledgement, replies to R3 and indicates that there is no availability of successor. On the other hand, R3 gets positive acknowledgement from R4 and the FS with higher FD becomes available to R3. The distance and new path is allowed by R3 and then added to the routing table. Followed by R2 and R4 are sent an update about the higher metric. In the network, all the routes converge when the updates are reached to them.

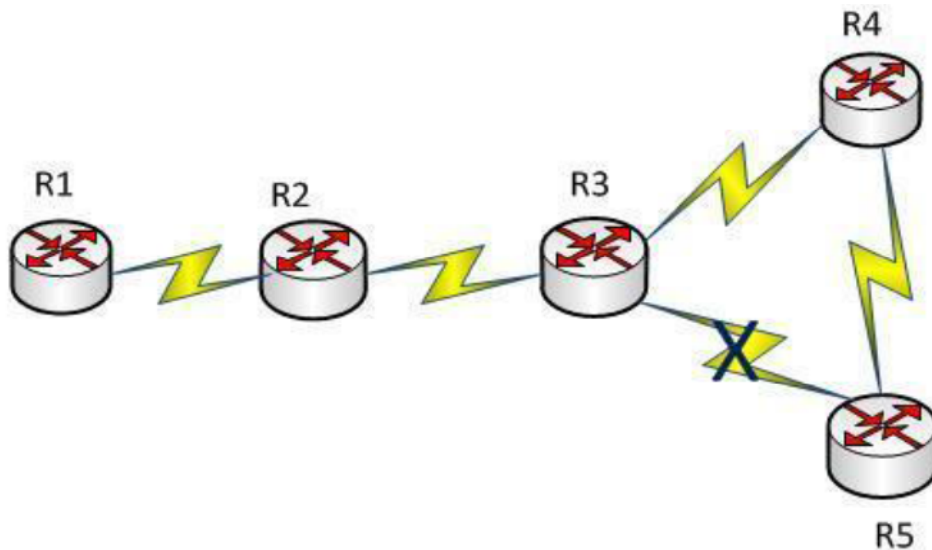


Figure 4.4: Network topology of EIGRP

4.6 Advantages and Disadvantages of EIGRP

There are some advantages provides by EIGRP as follows:

- Easy to configure.
- Loop free routes are offered.
- It keeps a backup path in the network to get the destination.
- Multiple network layer protocols are included.
- EIGRP convergence time is low and it is responsible for the reduction of the bandwidth utilization.
- It can work with Variable Length Subnet Mask (VLSM) and Class Less Inter Domain Routing (CIDR).
- EIGRP also supports the routing update authentication.

Disadvantages of EIGRP are:

Disadvantages of EIGRP are given below:

- Considered as Cisco proprietary routing protocol.
- Routers from other vendors are not able to utilize EIGRP.

Chapter 5: Simulation

5.1 Introduction

Simulation can be defined to show the eventual real behavior of the selected system model .It is used for performance optimization on the basis of creating a model of the system in order to gain insight into their functioning. We can predict the estimation and assumption of the real system by using simulation results.

5.2 Simulator

In this thesis, network simulator, Optimized Network Engineering Tools (OPNET) modeler 14.0 has been used as a simulation environment. OPNET is a simulator built on top of discrete event system (DES) and it simulates the system behavior by modeling each event in the system and processes it through user defined processes [22]. OPNET is very powerful software to simulate heterogeneous network with various protocols.

5.3 Structure of the OPNET

OPNET is a high level user interface that is built as of C and C ++ source code with huge library of OPNET function [23].

5.3.1 Hierarchical Structure

OPNET model is divided into three domains [23]. These are:

- **Network domain:**

Physical connection, interconnection and configuration can be included in the network model. It represents overall system such as network, sub-network on the geographical map to be simulated.

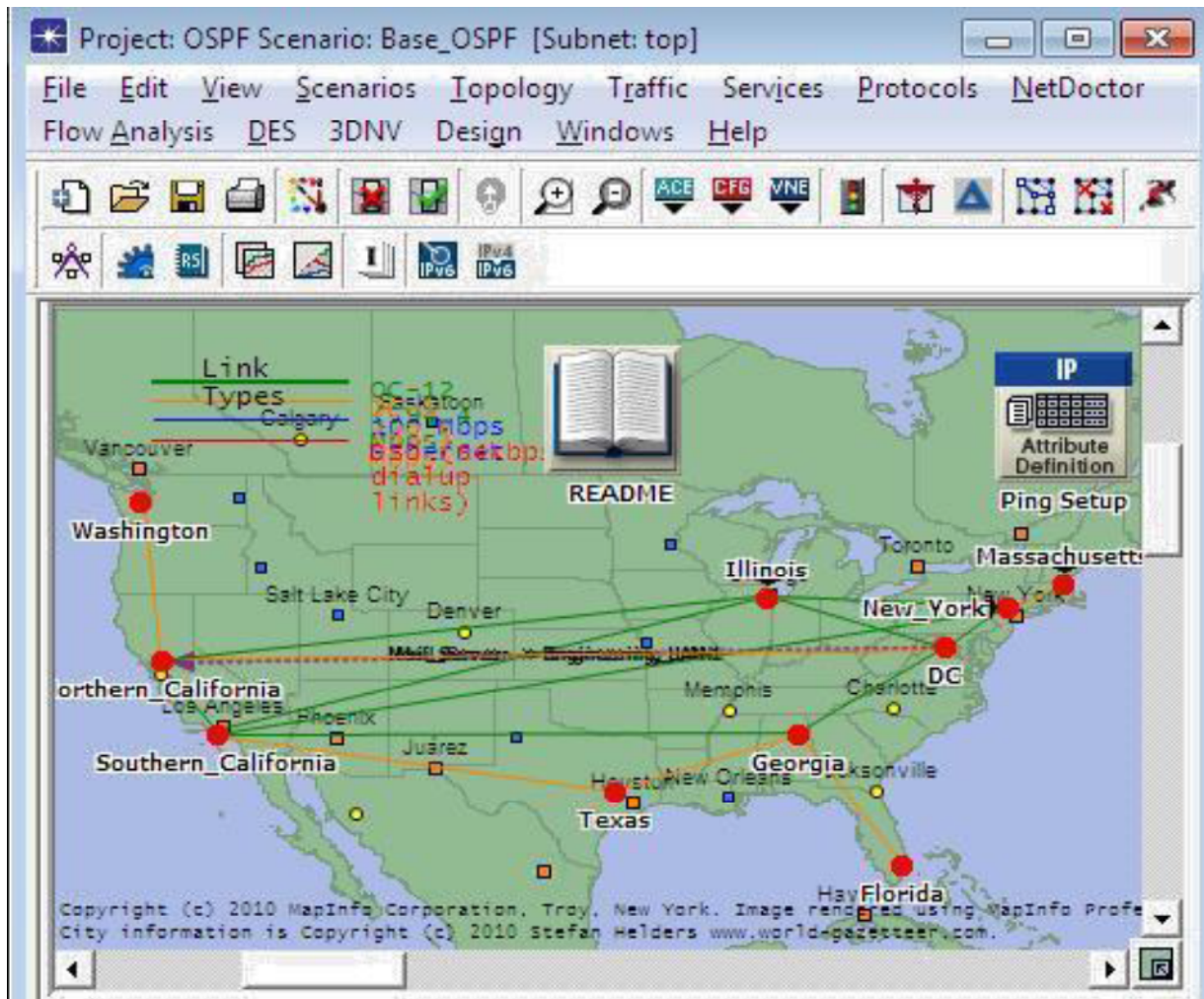


Figure5.1: Network Domain

- **Node Domain:**

Node domain is an internal infrastructure of the network domain. Node can be routers, workstations, satellite and so on.

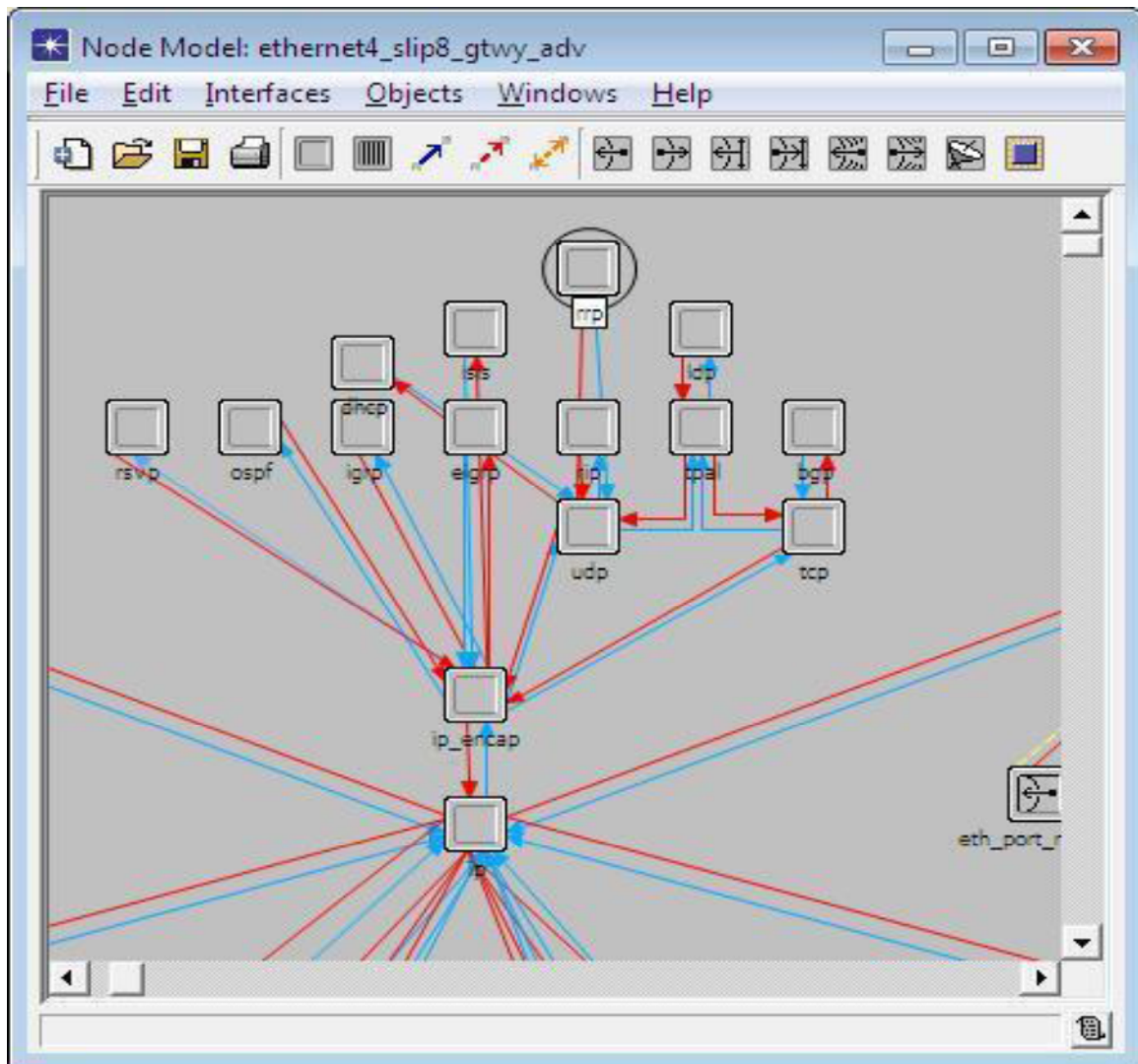


Figure 5.2: Node Domain

- **Process Domain:**

Process domain are used to specify the attribute of the processor and queue model by using source code C and C ++ which is inside the node models.

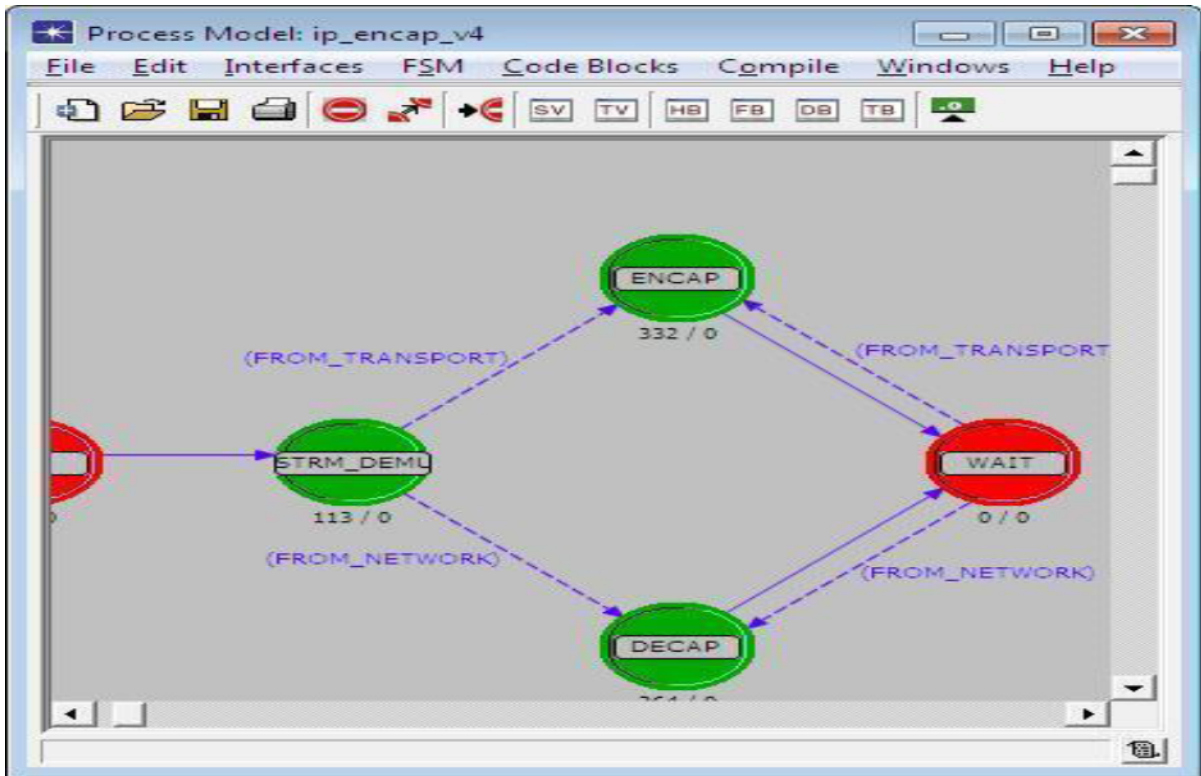


Figure 5.3: Process Domain

5.4 Design and Analysis in OPNET

When implementing a real model of the system in the OPNET, some steps are to be followed to design on simulator. Figure 5.1 shows a flow chart of the steps [2].

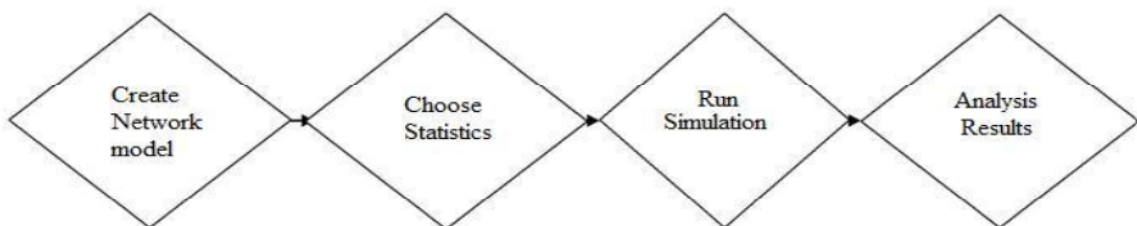


Figure 5.4: Designing Steps

5.5 Simulation Study

The protocols used in this thesis are OSPF and EIGRP routing protocol. The proposed routing protocols are compared and evaluated based on some quantitative metrics such as convergence duration, packet delay variation, end to end delay, jitter and throughput. These protocols are intended to use to get better performance of one over the other for real time traffic such as video streaming and voice conferencing in the entire network.

5.6 Network Topology

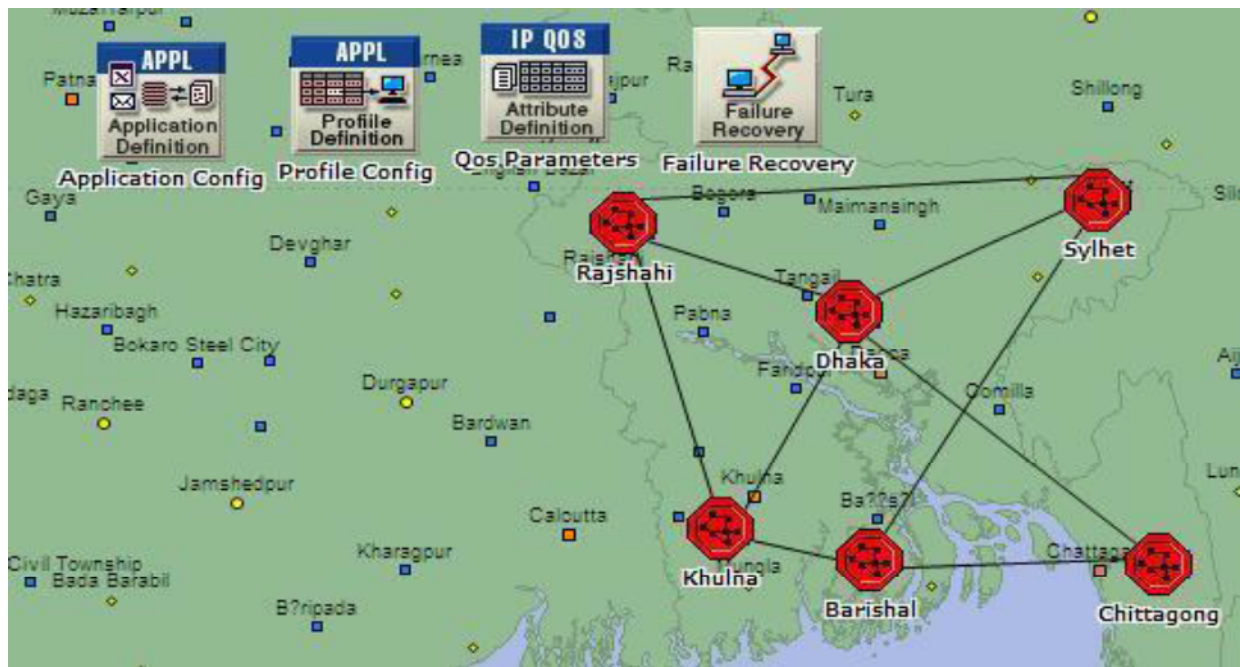


Figure 5.5: Network Topology

In this thesis, three scenarios are created that consists of six interconnected subnets where routers within each subnet are configured by using EIGRP and OSPF routing protocols. The network topology composed of the following network devices and configuration utilities:

- CS_7000 Cisco Routers
- Ethernet Server
- Switch

- PPP_DS3 Duplex Link
- PPP_DS1 Duplex Link
- Ethernet 10 BaseT Duplex Link
- Ethernet Workstation
- Six Subnets
- Application Configuration
- Profile Configuration
- Failure Recovery Configuration
- QoS Attribute Configuration

The network topology design is based on the geographical layout of Bangladesh shown above in figure 5.5. We considered six subnets in accordance with the name of division in Bangladesh that are interconnected to each other. All of the subnets contain routers, switch and workstations. Internal infrastructure of the network topology is shown in figure 5.6.

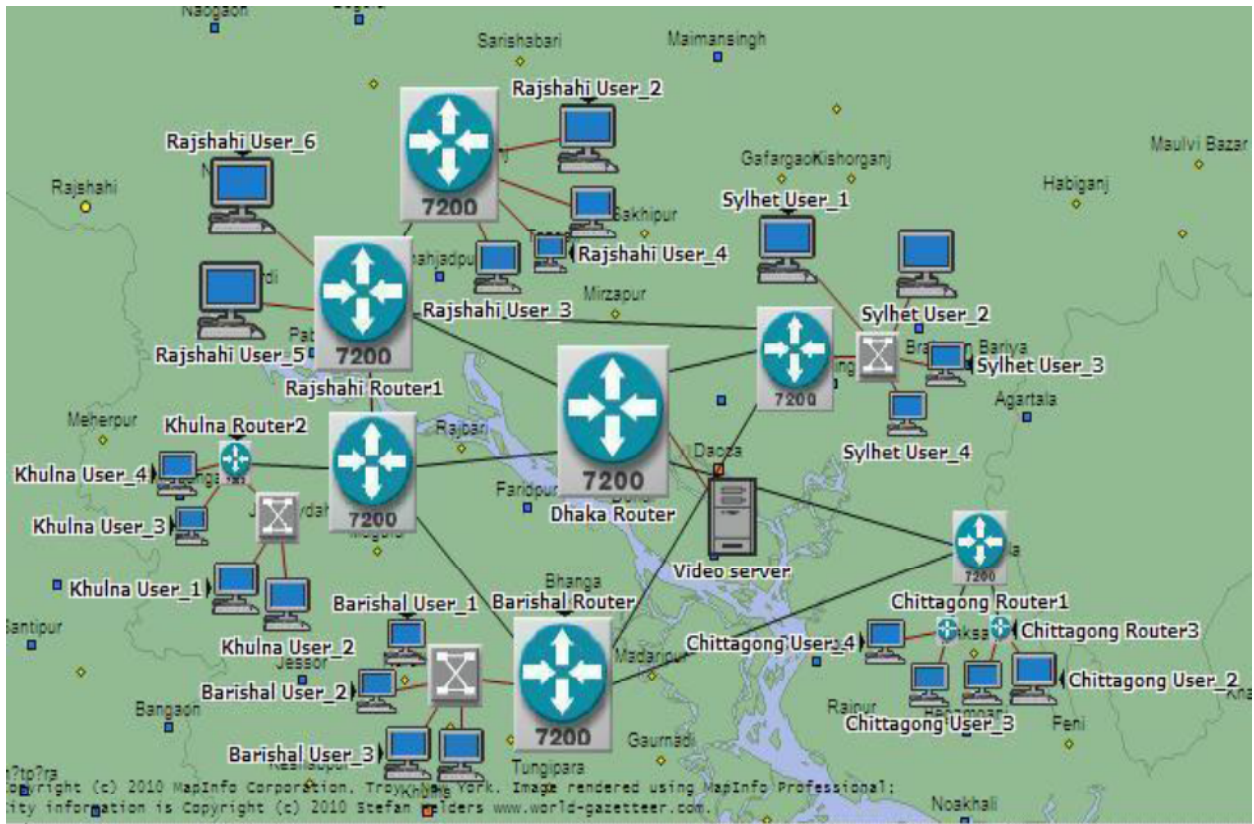


Figure5.6: Internal Infrastructure of Network Topology

An Application Definition Object and a Profile Definition Object named correspondingly Application Config and Profile Config in the figure 5.5 are added from the object palette into the workspace. The Application Config allows generating different types of application traffic. As far as real time applications are concerned in our thesis work, the Application Definition Object is set to support Video Streaming (Light) and Voice Conferencing (PCM Quality). A Profile Definition Object defines the profiles within the defined application traffic of the Application Definition Objects. In the Profile Config, two profiles are created. One of the Profiles has the application support of Video Streaming (Light) and another one has Voice Conferencing (PCM Quality) support.

Failure link has been configured in the scenarios. Failure events introduce disturbances in the routing topology, leading to additional intervals of convergence activity. The link connected between Sylhet and Barishal is set to be failure for 300 seconds and recovered after 500 seconds. One Video Server is connected to Dhaka Router that is set to the Video Streaming under the supported services of the Video Server. Quality of Service (QoS) plays an important role to achieve the guaranteed data rate and latency over the network. In order to implement QoS, IP QoS Object called QoS Parameters in the figure 5.5 is taken into the workspace where it has been used to enable and deploy Weighted Fair Queuing (WFQ). WFQ is a scheduling technique that allows different scheduling priorities on the basis of Type of Service (ToS) and Differentiated Service Code Point (DSCP).

The routers are connected using PPP_DS3 duplex link with each other. The switches are connected to routers using same duplex link. Ethernet workstations are connected to switch using 10 BaseT duplex links.

5.7 EIGRP Scenario

In this scenario, EIGRP routing protocol is enabled first for all routers on the network. After configuring routing protocols, individual DES statistics was chosen to select performance metrics and to measure the behavior of this routing protocol. Then simulation run time was set to 20 minutes.

5.8 OSPF Scenario

First task is to set routing configuration OSPF as a routing protocol for this network topology. Then individual DES statistics was chosen that would be viewed in the results from the DES menu. Finally, time duration to run the simulation was set.

5.9 EIGRP_OSPF Scenario

A key issue of this scenario is to analyze the performance of the network where both EIGRP and OSPF are running concurrently. This scenario is different from other two scenarios. Sylhet, Dhaka and Chittagong subnets of this scenario is configured with EIGRP and rest of the part of this scenario is configured with OSPF. Redistribution has been implemented with both protocols to exchange route information from one to another. Redistribution needed when a router takes routing information that is discovered in one routing protocol and distributes the discovered routing information into other routing protocols. This scenario is depicted in the figure 5.7.

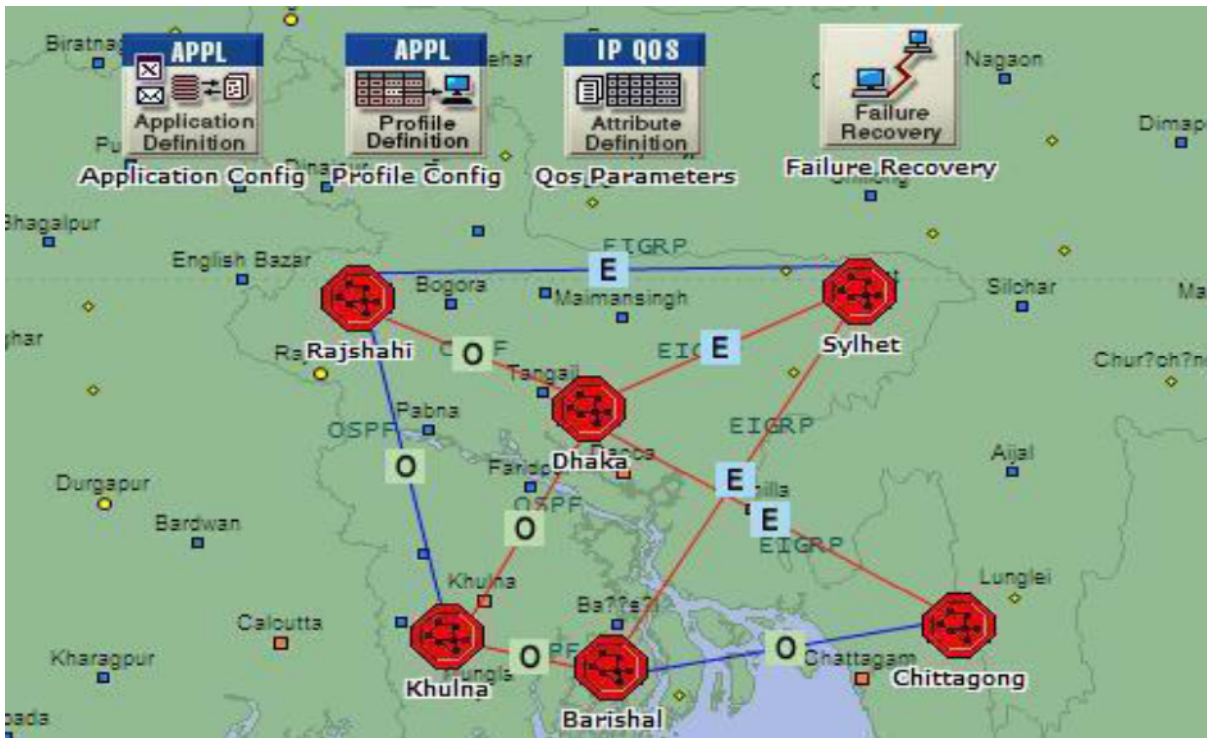


Figure 5.7: EIGRP_OSPF network topology

5.10 Measurements

In this section, measurements of the performance metrics, such as the average convergence duration, jitter, end to end delay and throughput are done from the acquired results of Discrete Event Simulation.

5.11 Simulation Results and Analysis

In this section, we present a comparative analysis of EIGRP over OSPF. There are three network models, which are configured and run as 1st scenario with OSPF alone, 2nd one with EIGRP alone and 3rd one with both EIGRP and OSPF concurrently. One failure link between Sylhet and Barishal has been configured to occur at 300 seconds and to recover at 500 seconds. The links that have been used in these scenarios are given below:

Link Type	Connection between subnets	Link Speed
PPP_DS3	Dhaka<->Chittagong Rajshahi<->Dhaka Sylhet<->Dhaka Khulna<->Dhaka Sylhet<->Barishal Khulna<->Barishal	44.736 Mbps
PPP_DS1	Rajshahi<->Sylhet Khulna<->Rajshahi Barishal<->Chittagong	1.544 Mbps

5.12 Convergence Duration

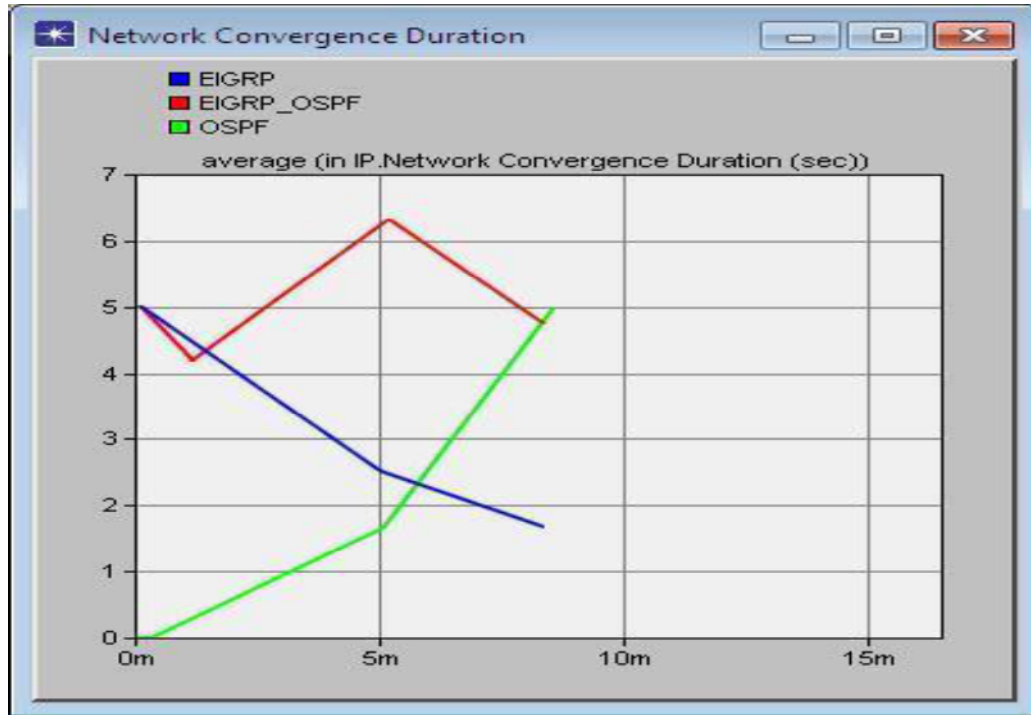


Figure 5.8: Convergence Duration

From the above figure 5.8, it can be seen that the convergence time of EIGRP is faster than OSPF and EIGRP_OSPF networks. Because when the change occurs through the network, it detects the topology change and sends query to the immediate neighbors to have a successor and propagated this update to all routers. Contrariwise, the network convergence time of OSPF is slower than EIGRP and EIGRP_OSPF networks. As the change occurred in the OSPF network, all routers within an area update the topology database by flooding LSA to the neighbors and routing table is recalculated. As a consequence, network convergence time of OSPF is getting slower than others.

In figure 5.8 indicates that convergence time of EIGRP is getting decreased rapidly with the increment of OSPF network. In contrast, the convergence time of EIGRP_OSPF network is faster than OSPF network.

We measured convergence duration by taking average value to the following:

Scenario No.	Scenario Name	Routing Protocol	Convergence Time(sec)
1 st	EIGRP	EIGRP	1.7597
2 nd	EIGRP_OSPF	EIGRP& OSPF	4.8915
3 rd	OSPF	OSPF	4.9785

Table 5.1: Average value of convergence time (sec)

5.13 Packet Delay Variation for Video Streaming

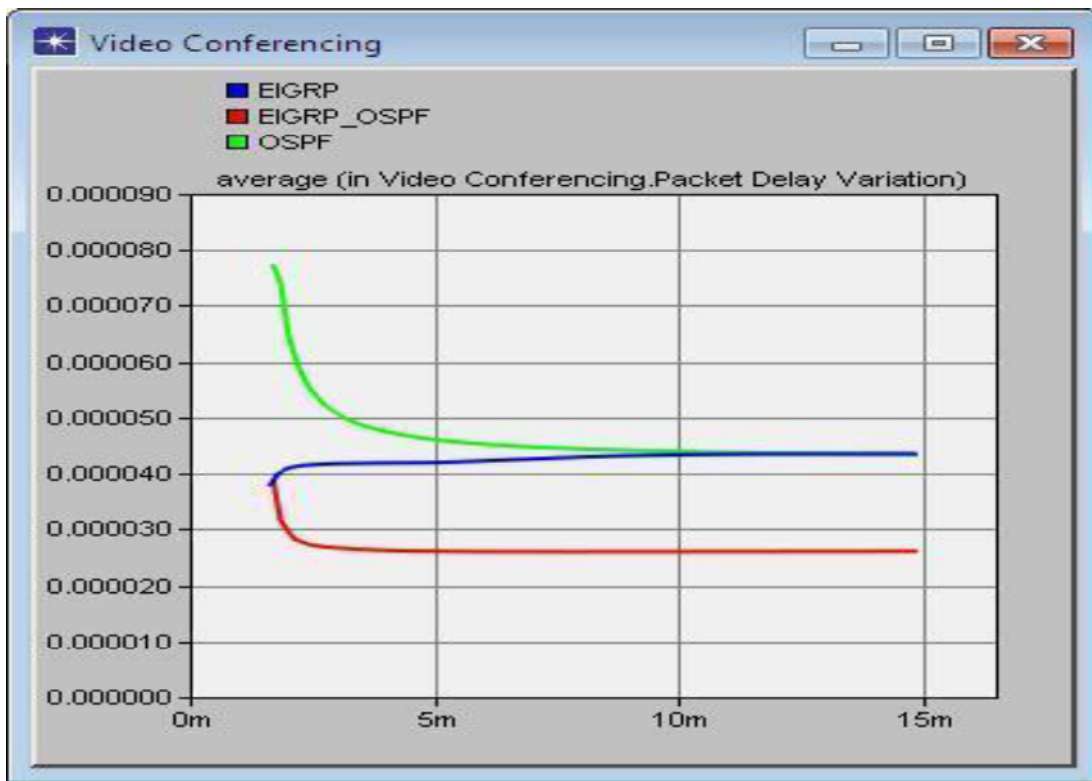


Figure 5.9: Video streaming, packet delay variation

Delay variation is measured by the difference in the delay of the packets. This metric has huge influence on the manners of video applications. It is observed from the figure 5.9 that EIGRP_OSPF has less packet delay variation than EIGRP and OSPF network.

It can be seen from figure 5.9, the packet delay variation for EIGRP and OSPF networks are having higher than EIGRP_OSPF. Apparently, Figure 5.9 shown that despite of high congestion in the network, EIGRP_OSPF is much better than other two networks in terms of packet delay variation. The average values of packet delay variation are given below:

Scenarios	Packet Delay Variations (ms)
EIGRP_OSPF	0.026
EIGRP	0.043
OSPF	0.043

Table 5.2: Average value of packet delay variation (ms)

5.14 End to End Delay for Video Streaming

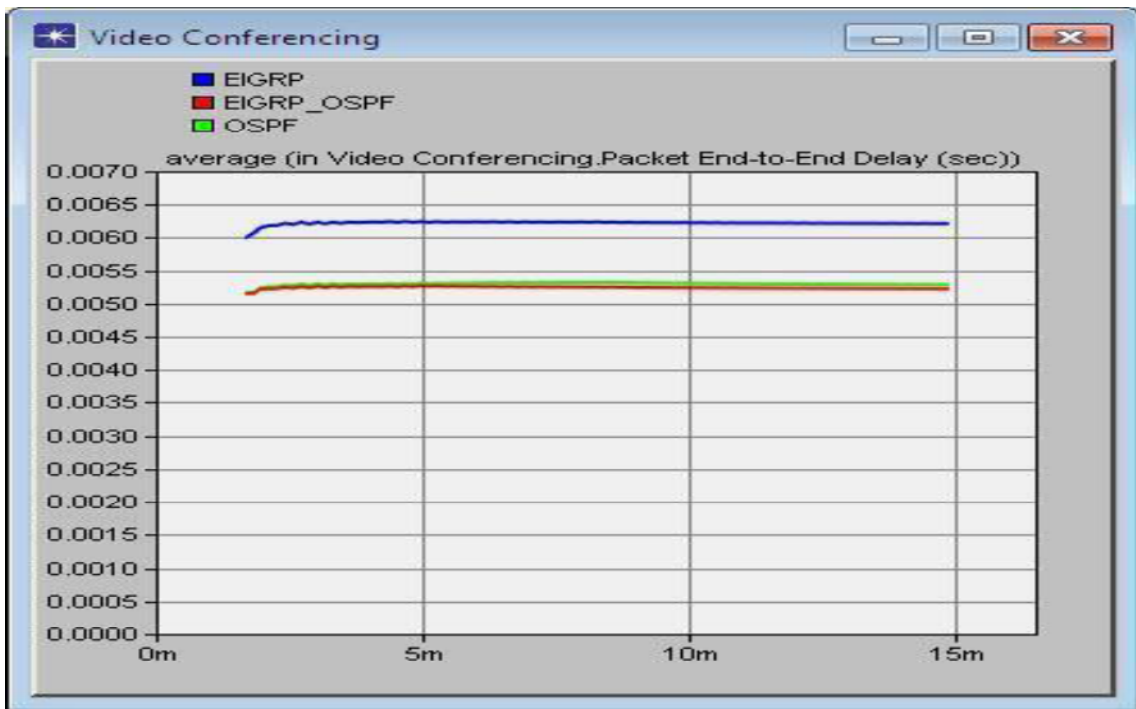


Figure 5.10: End to End delay

Figure 5.10 illustrates the behavior of end to end delay across the networks .End to End delay refers to the time that is taken to transmit the packet through the network from source to destination. As shown in figure 5.10, end to end delay of EIGRP_OSPF network is

comparatively less than OSPF network. Whereas EIGRP is a little bit higher than EIGRP_OSPF and OSPF networks due to network congestion. This measurement deals with the speed of network and the existing congestion. The average value of end to end delay for each network is given below:

Scenario Name	End to End Delay (ms)
EIGRP_OSPF	5.22
OSPF	5.28
EIGRP	6.21

Table 5.3: Average value of end to end delay (ms)

5.15 Traffic Sent for Video Streaming

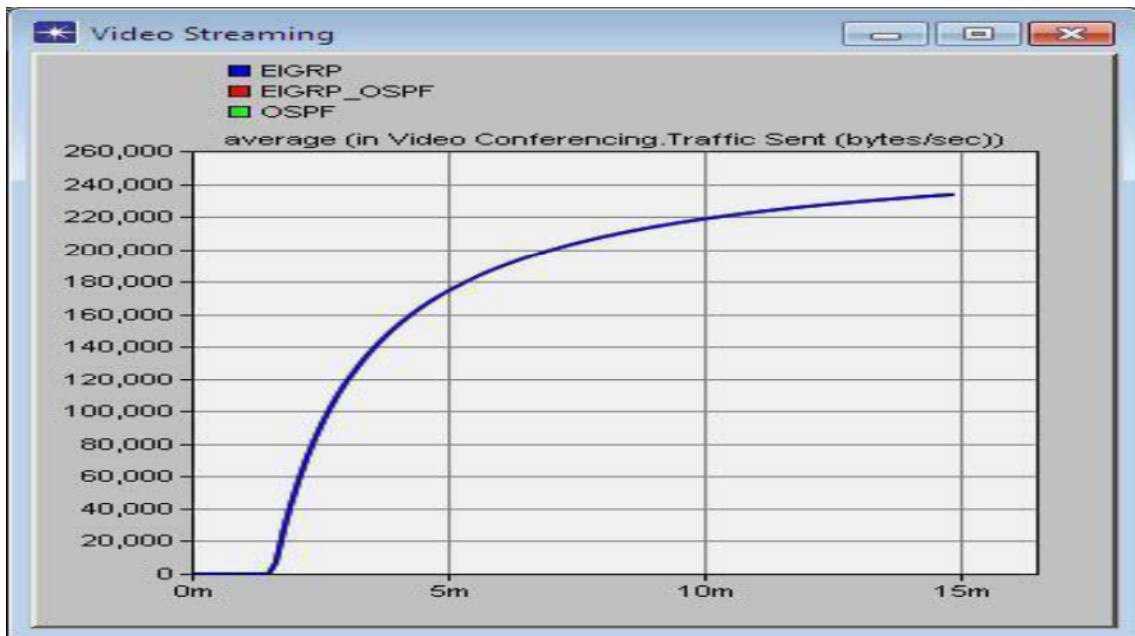


Figure 5.11: Video traffic Sent (bytes/sec)

We have considered the multimedia streaming traffic class for low resolution in terms of video traffic across the network. All users in the network are watching video from a video server. Figure 5.11 demonstrates that sent traffic is around 233436 Byte per seconds through the networks.

5.16 Traffic Received for Video Streaming

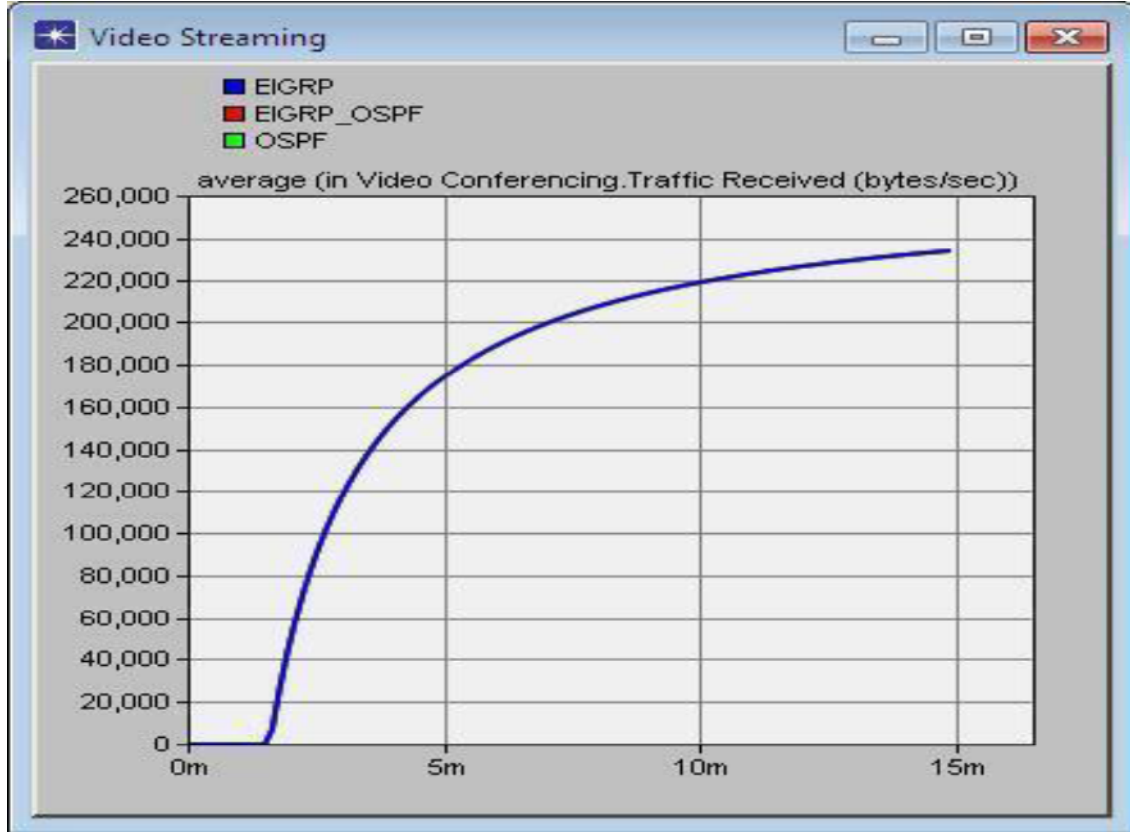


Figure 5.12: Video Traffic Received (bytes/sec)

As shown in figure 5.12, it is observed that some packets are being dropped due to high congestion in the network when the background load is 95%. From the following table, we can see that packet loss with OSPF is more than EIGRP and EIGRP_OSPF.

Scenario Name	Sent(bytes/sec)	Received(bytes/sec)	Packet Loss
EIGRP_OSPF	233436	233379	0.02%
EIGRP	233436	233405	0.01%
OSPF	233436	233265	0.07%

Table 5.4: Average value of sent and received (bytes/sec) for video traffic

5.17 Voice Traffic (Jitter)

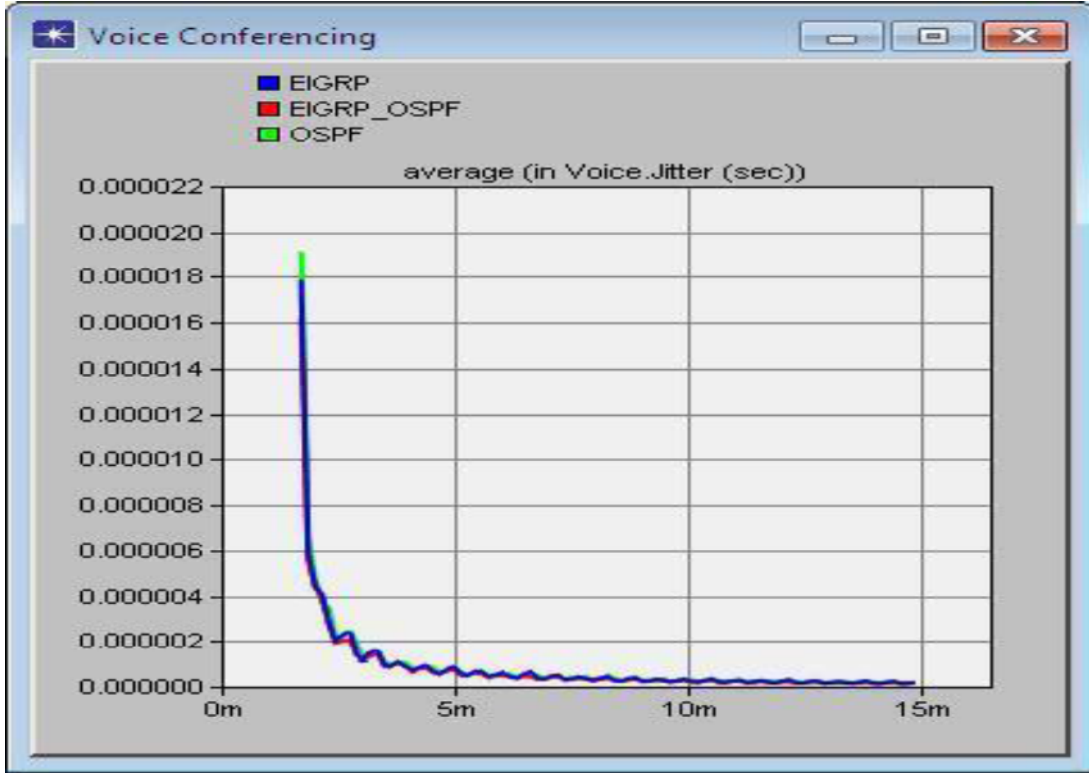


Figure 5.13: Voice conferencing (Jitter)

Figure 5.13 illustrates that packet delay variation is decreasing faster while packets are being transmitted from source to destination. Interactive voice (PCM Quality) is considered to interact with each other in the network. As shown in figure 5.13, it can be seen that at the beginning, OSPF network has slightly higher jitter than EIGRP and EIGRP_OSPF networks. After sometime, jitter of all three networks gradually becomes overlapped with each other. The average value of jitter for voice conference is given below:

Scenario Name	Jitter (sec)
EIGRP_OSPF	0.000000165
OSPF	0.000000166
EIGRP	0.000000179

Table 5.5: Average value of jitter for voice conferencing (sec)

5.18 End to End delay

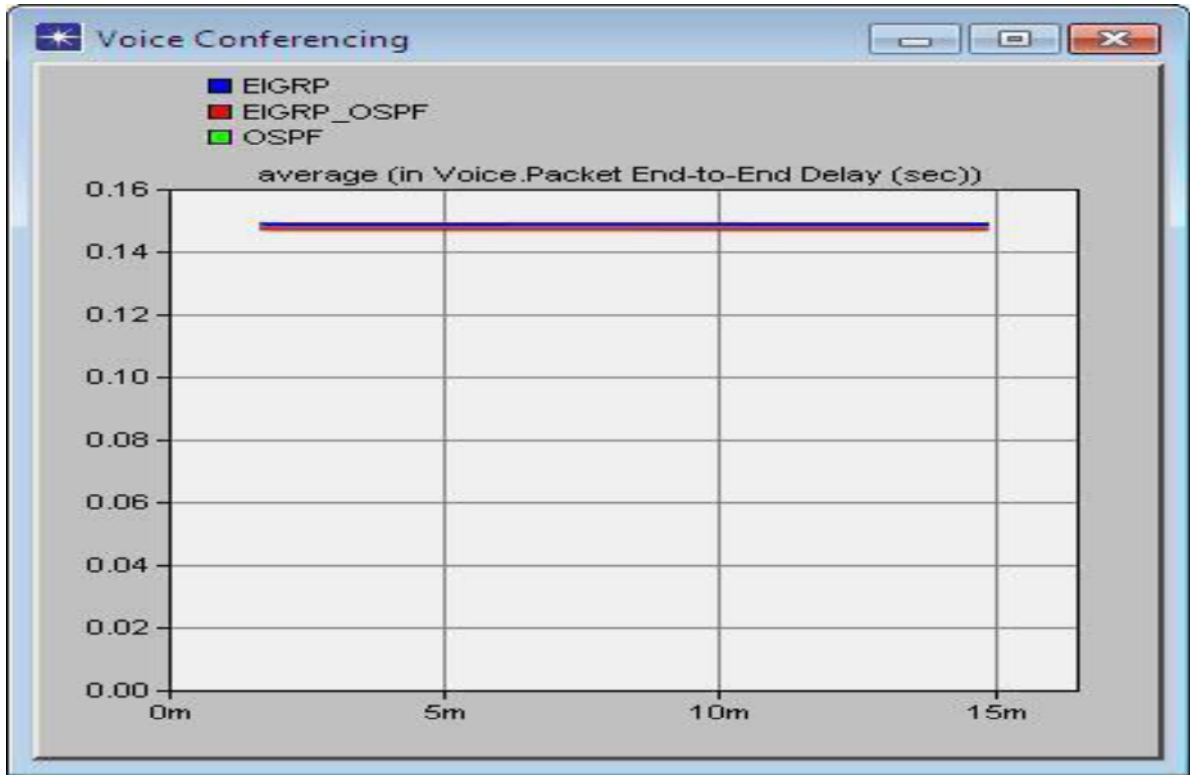


Figure 5.14: End to end delay for voice conferencing

End to end delay is defined as the interval between data packets transmission time from source and the arrival time to the destination. Figure 5.14 depicts that the end to end delay of EIGRP OSPF is relatively less than other two networks. On the other hand, OSPF and EIGRP show the considerable amount of delay in the graph. End to end delay of EIGRP is higher due to the lower link speed of the network that causes packet loss. The average value of end to end delay is shown below:

Scenario Name	End to End delay (sec)
EIGRP OSPF	0.14727
OSPF	0.14750
EIGRP	0.14882

Table 5.6: End to end delay (sec) for voice conferencing

5.19 Traffic Sent/Received (bytes/sec)

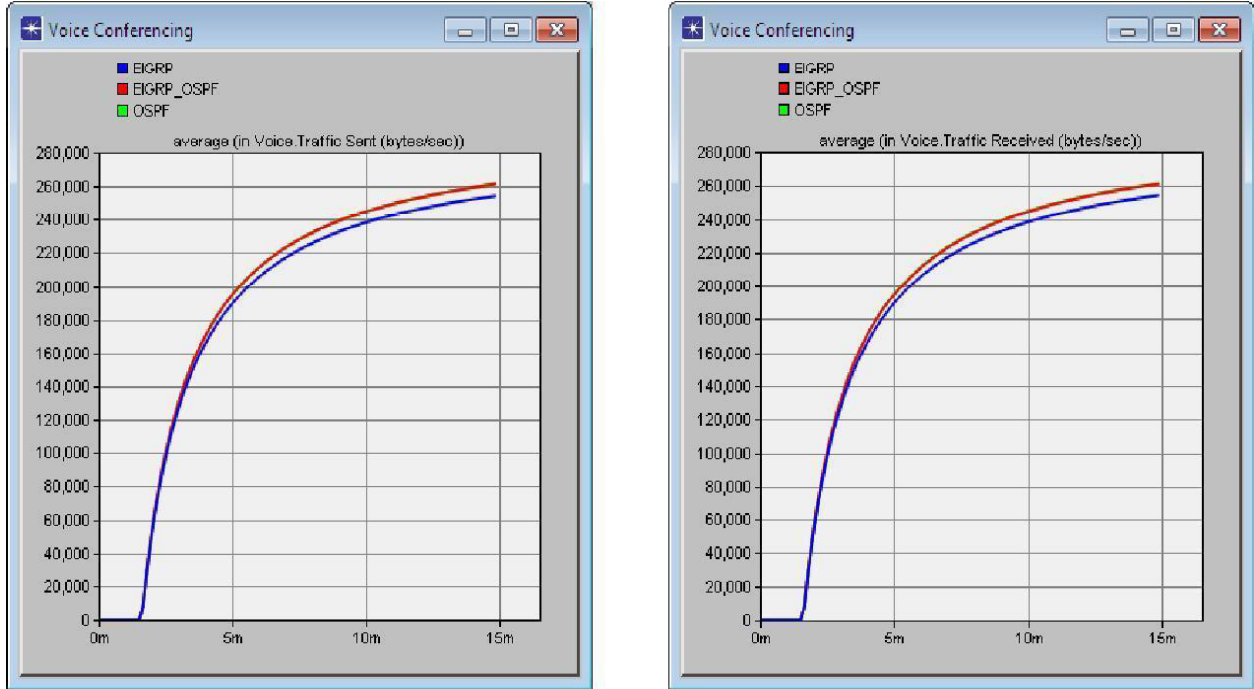


Figure 5.15: Voice conferencing sent/received (bytes/sec)

As shown in figure 5.15, the OSPF network is having less packet loss than EIGRP and EIGRP_OSPF networks. The detailed statistical results for OSPF, EIGRP and EIGRP_OSPF networks are shown as below:

Scenario Name	Sent(bytes/sec)	Received(bytes/sec)	Packet Loss
OSPF	261465	261461	0.001%
EIGRP_OSPF	261466	261262	0.07%
EIGRP	254399	254370	0.01%

Table 5.7: Voice Traffic Sent and Received (bytes/sec)

5.21 Throughput

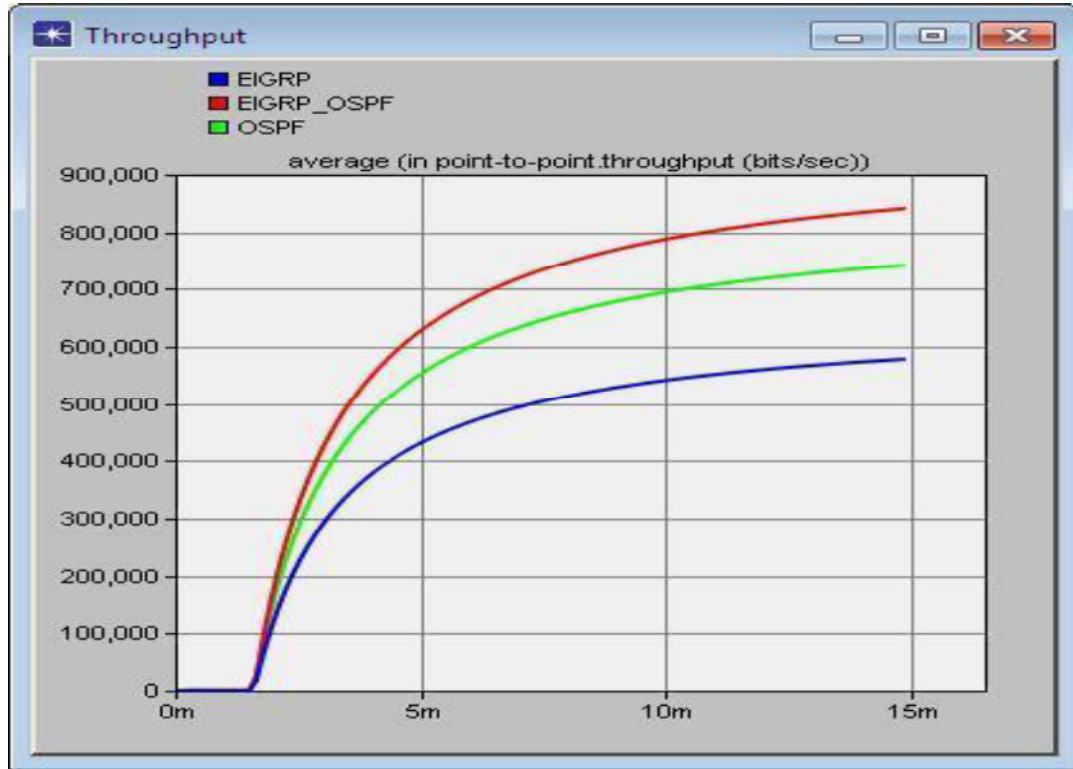


Figure 5.16: Throughput (bits/sec)

The throughput is a key parameter to determine the rate at which total data packets are successfully delivered through the channel in the network. Figure 5.16 indicates that EIGRP OSPF has higher throughput and less packet loss than OSPF and EIGRP networks.

The detailed results of throughput are shown as below:

Scenario Name	Throughput(bits/sec)
EIGRP OSPF	8,50,000
OSPF	7,20,000
EIGRP	5,80,000

Table 5.8: Throughput (bits/sec)

CHAPTER 6: Conclusion and Future Work

Interior routing protocols like EIGRP and OSPF are widely being used in the computer networking. In this thesis, we have presented a comparative analysis of selected routing protocols such as EIGRP, OSPF and the combination of EIGRP and OSPF. The comparative analysis has been done in the same network with different protocols for real time applications. Performance has been measured on the basis of some parameters that aimed to figure out the effects of routing protocols.

Network scalability can be enhanced by reducing network convergence time of the routing protocol. In our thesis work, implementation of EIGRP shows that network convergence time is much faster than EIGRP_OSPF and OSPF networks because EIGRP network learns the topology information and updates faster than EIGRP_OSPF and OSPF.

The simulation result has shown that end to end delay of EIGRP_OSPF network is relatively less than EIGRP and OSPF networks. As a result, data packets in EIGRP_OSPF network reach faster to the destination.

Another performance metrics for real time application is packet delay variation, which measures the differences between the delays of packets. The performance of packet delay variation for EIGRP_OSPF is better than OSPF and EIGRP. We observed that the packet delay variation of EIGRP and OSPF networks is high while EIGRP_OSPF network is low.

In the context of packet loss, we found that packet loss in the EIGRP_OSPF network is less than OSPF and EIGRP networks. In comparison, the simulation results have shown that the throughput in the combination of EIGRP and OSPF network is much higher than OSPF and EIGRP networks.

In this thesis work, the comparative performance among EIGRP, OSPF and combination of EIGRP and OSPF routing protocols for real time application has been analyzed. By comparing these protocols performances, we have come across that the combined.

implementation of EIGRP and OSPF routing protocols in the network performs better than OSPF and EIGRP. In the case of individual routing protocol performance, overall performance of EIGRP is better than OSPF. In future, a research work can be done on the explicit features of both OSPFv3 and EIGRP protocols in the IPv4/IPv6 environment. Security analysis for both OSPF and EIGRP can be done.

ABBREVIATIONS

OSPF	Open Shortest Path First
EIGRP	Enhanced Interior Gateway Routing Protocol
RIP	Routing Information Protocol
IS-IS	Intermediate System to Intermediate System
ABR	Area Border Router
BDR	Backup Designated Router
LSA	Link-State Advertisement
LSAck	Link-State Acknowledgement
LSDB	Link-State Database
LSP	Link State Packet
LSR	Link-State Request
LSU	Link-State Update
NET	Network Entity Title
NSAP	Network Service Access Point
NSSA	Not-So-Stubby-Area
PSNP	Partial Sequence Number Packet
RD	Reported Distance
RTP	Reliable Transport Protocol
SPF	Shortest Path First
VLSM	Variable Length Subnet Mask
CIDR	Classless Inter Domain Routing
ASBR	Autonomous System Boundary Router
AS	Autonomous System
BR	Backbone Router
DBD	Database Description
DR	Designated Router
DUAL	Diffusion Update Algorithm
DVR	Distance Vector Routing
FC	Feasible Condition
FD	Feasible Distance
FS	Feasible Successor
DES	Discrete Event Simulation
OPNET	Optimized Network Engineering Tool
RFC	Request for Comment
EIGRP_OSPF	Combination of EIGRP and OSPF

References

- [1] Shen Yang (Inst. of Command Autom, PLA Univ. of Sci. & Tech., Nanjing, China); Dai Hao; Qi Qang-dong “*Performance comparisons between OSPF and EIGRP in tactical IP networks*” Source: Journal of PLA University of Science and Technology (Natural Science Edition), v 6, n 3, p2 41-5, June 2000
- [2] Esuendale Lemma; Syed Hussain; Wendwossen Anjelo; *Performance Comparison of EIGRP/ IS-IS and OSPF/ IS-IS* Blekinge Tekniska Hogskolan. Sweden, 2010.
<http://www.essays.se/essay/cc996c98ff/>
- [3] Rick Graziani and Allan Jonson, “*Routing protocols and concepts: CCNA exploration companion guide*” Pearson Education. London, 2008.
- [4] Online source. (2004, Aug 27), “*Advanced IP Addressing Management, Cisco Systems*”
<http://www.informit.com/articles/>
- [5] Douglas E. Comer, “*Internetworking with TCP/IP, Principles, Protocols and Architecture*” 5th ed. Vol.1, Pearson Prentice Hall, 2006.
- [6] Talal Mohamed Jaffar, “*Simulation-Based Routing Protocols Analysis (Thesis)*” Ph.D., Dept. Elect. Eng., Georgia Institute of Technology, 2007.
- [7] Tony Larsson and Nicklas Hedman, “*Routing Protocols in Wireless Ad-hoc Networks-A simulation Study (Master’s thesis)*” Dept. Com. & Eng., Luleå Univ., Stockholm, 1998.
- [8] Javvin network management and security. “*IS-IS: Intermediate System to Intermediate system routing protocol*” <http://www.javvin.com/protocolOSPF.html>.
- [9] Todd Lammle, “*Cisco Certified Network Associate*” 5th edition, 2005
- [10] Microsoft.TechNet.”*OSPFoperation*” “
<http://technet.microsoft.com/enus/library/cc940481.aspx>
- [11] Christian Huitema, “*Routing in the internet*” 2. Ed. Prentice Hall PTR, cop. 2000.
- [12] Faraz Shamim, Zaheer Aziz, Johnson Liu, Abe Martey, “*Troubleshooting IP Routing Protocols*” Cisco Press, Pages: 912, May 07, 2002.
- [13] Cisco “*OSPF Design Guide*”
http://www.cisco.com/en/US/tech/tk365/technologies_white_paper09186a0080094e9e.shtml
- [14] <http://www.rhyshaden.com/ospf.htm>
- [15] <http://www.cellsoft.de/telecom/autonomoussystemrouting.htm>
- [16] <http://www.javvin.com/protocolEIGRP.html>

[17] Cisco, "*Internet Technology Handbook*"
http://www.cisco.com/en/US/docs/internetworking/technology/handbook/Enhanced_IGRP.html

[18] Cisco, "*IP Routing, Introduction to EIGRP*" Document ID: 13669.
http://www.cisco.com/en/US/tech/tk365/technologies_tech_note09186a0080093f07.shtml#hw

[19] <http://www.ciscocertificationacademy.com/Enhanced-Interior-Gateway-Routing-Protocol-EIGRP.php>

[20] Ravi Malhotra, "*IP Routing*" 0-596-00275-0" January
2002.

<http://oreilly.com/catalog/iprouting/chapter/ch04.html#45434>

[21] David Billings, "*A collection of materials for the study of intranet and internet networking*" GTCC. <http://www.gtcc-it.net/billings/eigrp.html>.

[22] "*Introduction to OPNET Simulator*"
<http://bolero.ics.uci.edu/~ypan/OPNET/Introduction%20to%20OPNET%20simulator.pdf>

[23] "*Simulations and Tools for Telecommunications*"
http://www.telecomlab oulu.fi/kurssit/521365A_tietoliikennetekniikan_simuloinnit_ja_tyokalut/OPNET_esittely_07.pdf