

CSC

"Information System of Sharmin Jewelers"



Prepared for:

Mr. Pijush Kanti Paul
Associate Professor
East West University

Prepared by:

Mokhlasur Rahman	1997-2-21-033
Md. Shafkat Kibria	1997-2-21-029
Nafisa Shamsuddin	1997-2-20-006
Shakir Ahmed	1997-3-10-007

Date: April 1, 2000.



Date: April 1, 2000.

Mr. Pijush Kanti Paul
Associate Professor
East West University
Mohkhali, Dhaka.

Subject: Letter of Transmittal

Style - 5
Creativity - 5
Structure - 8
18

Dear Sir:

We are very much grateful for the report that you wanted us to write for MIS 402. The report was very beneficial for us in two ways. First of all, we were exposed to the real life practical experience. Secondly, we got the opportunity to design a system that is very much applicable to a particular business.

We would like to thank you heartily for this report. We really enjoyed our report. We hope that our accumulated practical experience through this report will help us a lot in our future.

Sincerely yours,

Mokhlesur Rahman

Shafkat Kibriya

Nafisa Shamsuddin

Shakir Ahmed

dul
6/5/2000

Acknowledgement:

We would like to thank a few persons without whose we would not have been able to complete our report. Our earnest thanks to Mr. Pijush Kanti Paul who is the course teacher of MIS 402. We would also like to thank Mr. Syed Akhter Hossain, Mr. Asad Uzzaman, the Manager and employees of the jewelry shop. Without these persons help our efforts would go in vain. We wish all the best to these persons.

Executive summary:

This report has been written as a partial requirement of MIS-402 (System Analysis & Design). Our faculty wanted us to apply our knowledge, gathered from the books, to an applied field. We chose a jewelry shop for this purpose. We chose this particular field because most of us are more or less familiar with the business and in most of the shops, the existing system is very primitive in nature.

We had to conduct a questionnaire survey to find out how the jewelry shop was operating. We found out that there were several difficulties with the previous system. For example, in the existing system there is an unbalance between price and measurement of gold. The shopkeepers show price in gram but they sell in "bhari". Customers as well as the shopkeepers are sometimes misled by the unbalanced measurement. Another problem is the record keeping. The owner has to believe in the recorded sale. So the manual system is very much exposed to gold missing. There are many other problems with the existing system encountered by the shopkeepers and the owner. For example, desired information is very difficult to find out and also very time consuming. They are now keeping the records in books that are hand written. So, if anyone wants to see a record that is very old, might be damaged.

All these problems badly require a system that is free from all the current errors and projected difficulties. Through our survey we have found out what are the user requirements and designed a-computer based information system that is applicable to the jewelry shop. This software will be (1) able to fight all the previous errors, (2) will eliminate theft, (3) minimize the costs and will (3) maximize the profit.

Table of Contents:

1. Introduction
 - A. Origin of the report
 - B. Purpose and Objective
 - C. Scope of the report
 - D. Methodology
 - E. Limitation
 - F. Questionnaire
2. User Requirement
3. The Proposed System
4. Implementation Detail
5. Conclusion
6. Development Platform.

List of Flow:

1. Existing Layout
2. E-R Diagram
3. DFD 0
4. DFD 1
5. DFD 2

Introduction:

This report is a partial fulfillment of the course "System Analysis and Design" (MIS 402). Our faculty of this course Mr. Pijush Kanti Paul wanted us to apply our theoretical knowledge to a practical field. We became very interested to get an opportunity to experience the real world. We were very much interested to design a computer based information system of a jewelry shop because most of us are very much familiar with this business but in most shops there is no formal computer based information system existing currently.

We conducted a survey to find out the user requirements and the errors of the existing manual system. This new information system will facilitate the shop to better keep the inventory record that will stop any kind of inventory loss. It will also maintain all the records, for example, customer record, employee record, broker's information, goldsmith information and so on. It will store, manage, update, and also check, the customer balance. This proposed system would not cover the accounting section and gold purchase section. But the system has the flexibility to cover these sections in future.

Origin of the report:

This report is written as a course requirement of MIS 402 (System Analysis and Design) submitted to Mr. Pijush Kanti Paul, faculty of East West University on April 1, 2000 who orally authorised our group members to carry on with this report.

Purpose and objective:

1. To fulfill the course requirement of MIS 402. *W*
2. To build up the information system of an institution to gather practical experience.
3. To make the existing system easier, flexible, error free, less time consuming and to have easier access to different information for the authorized end users.
4. To reduce cost and to maximize profit by eliminating any kind of inventory loss.
5. To have the information controlling power for the manager to save mismanagement of gold.

In the following, we would like to include the sample questions that we used for the interviewing purpose. These questions were asked to find out the problems and user requirements.

Questionnaire

1. How many records do you have to maintain for individual item?
2. How do you keep the sales records?
3. How do you keep the inventory record?
4. Who updates the records and have the authority to reject or accept a record?
5. Do you maintain a customer profile?
6. How do you keep the record of gold?
7. Do you keep the record of goldsmith?
8. Do you have the information on brokers?
9. How do you keep the record of sales and payment?

User requirement:

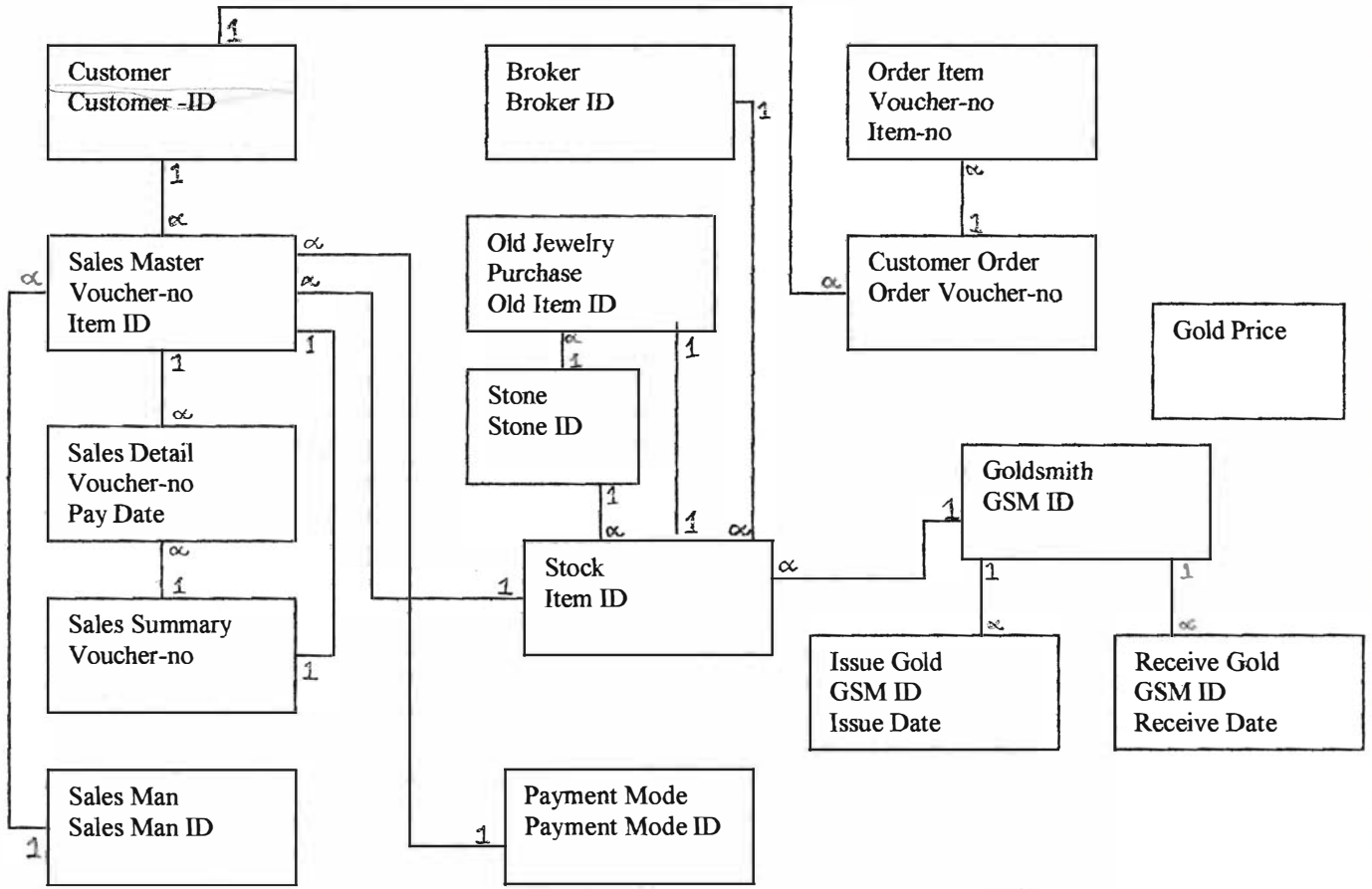
1. The owner wants to keep the records about the goldsmith, broker, salesman, customer, and inventory.
2. In the jewelry shop they want to have balance between the mass of gold and price. Currently there is an unbalance between these two factors. They want to balance it accurately on a daily basis.
3. The owner wants to record the sale of gold precisely. He wants to precisely balance the amount of gold taken out from inventory with the sale of gold. If there is an unbalanced situation, at the end of the year they might end up with some amounts of gold missing or no record of that amount.
4. They want to record how much gold each customer buys and whether there is any customer failed to pay off his/her debts.
5. They want to reward each salesman for his/her effort for additional sale and for precise record keeping.
6. They want a better and fast searching system.
7. They want to check all types of information within a second, for example, sales, customer record, customer order, inventory information and so on because manual operation is very time consuming.

Proposed System:

The new computer based information system has quite a lot of positive sides to notice. The whole system will have a dynamic change when the proposed system will be applied. The employees will be able to find customer information within seconds. If there is any debts outstanding, the accounting department will be able to detect it very quickly and to do so they will not depend on the hand written information that might be damaged. With the system the manager can have the full power to have the records of each employee, customer and the inventory as well that are very important. Because, in the previous year they experienced a huge portion of gold missing from the inventory. The manager will also be able to reward the employees from the record of how much they could sell in a given period of time. The accurate weight of gold can also be easily matched with price.

Implementation Detail

E-R Diagram of the proposed system

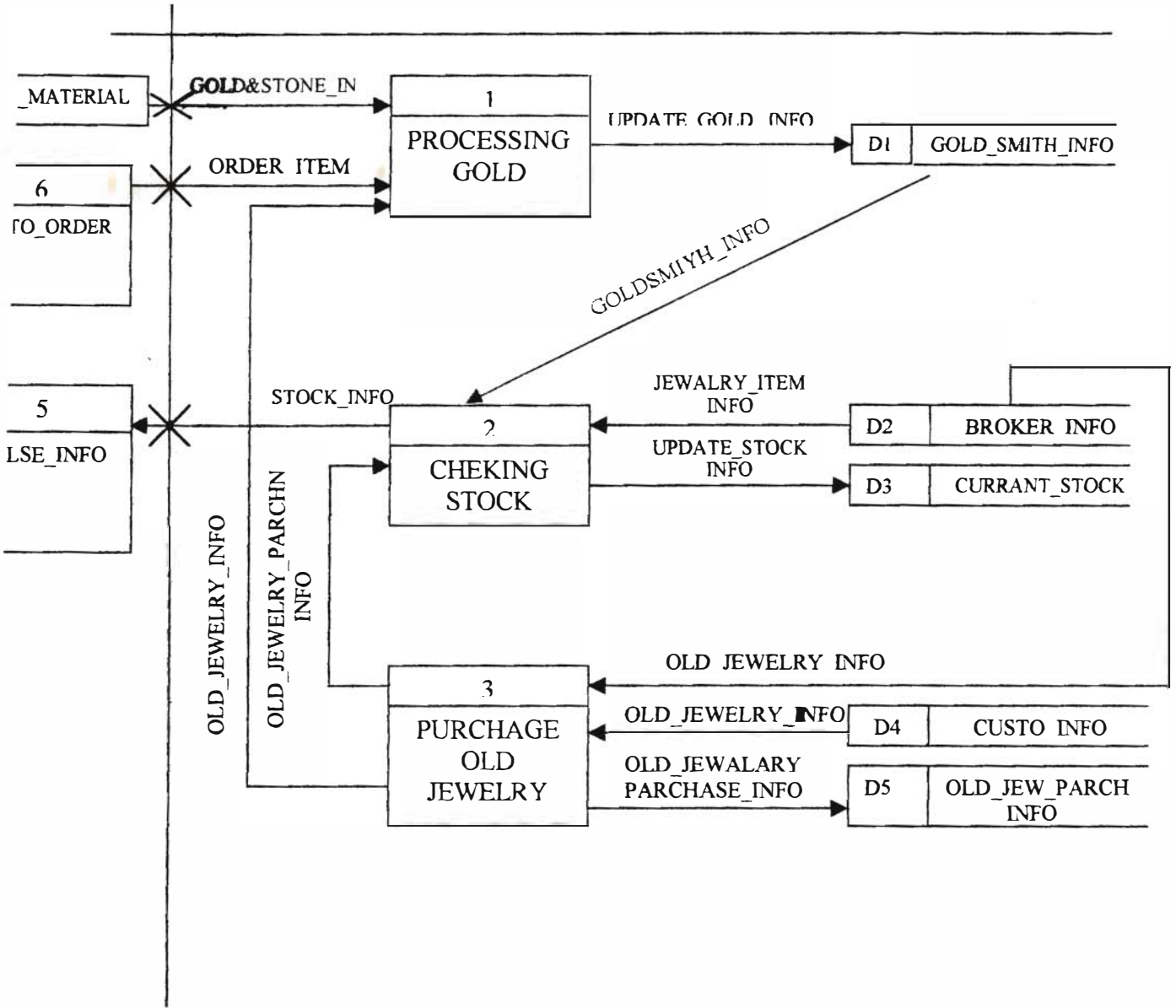


Existing Layout

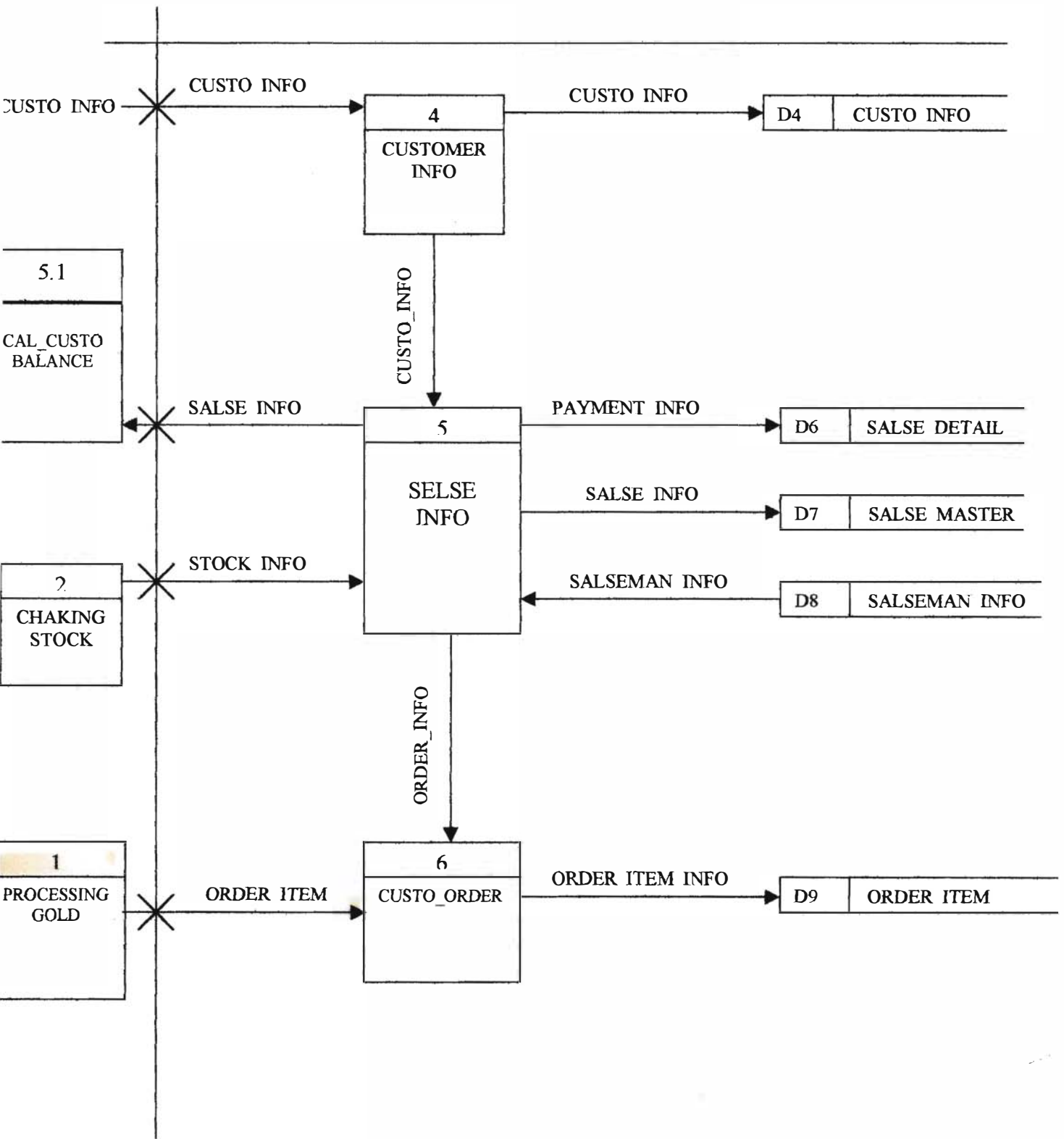


DFD

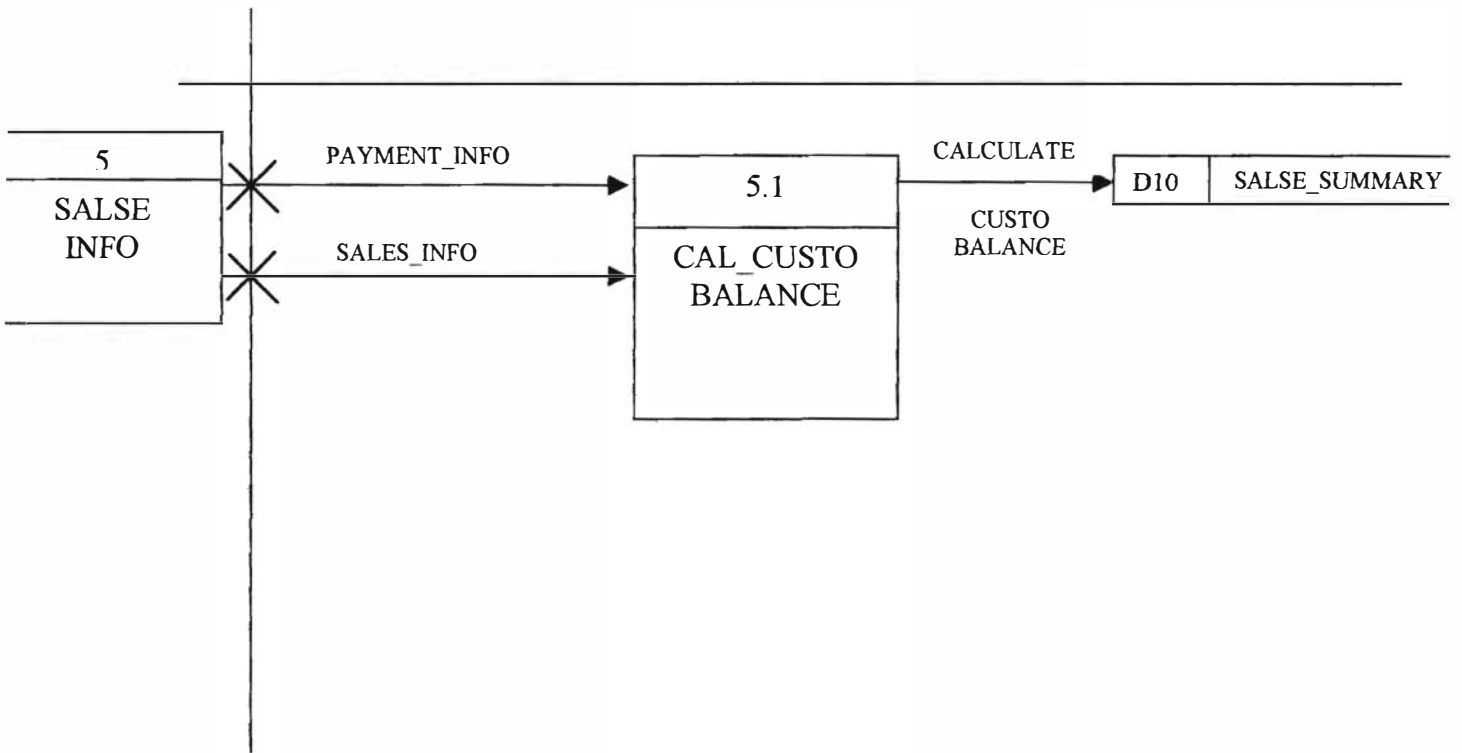
DFD 0



DFD1



DFD2



Tables

CUSTOMER TABLE

Field Name	Data Type	Description
Customer ID	Text	Field size:10, No Duplication, Not Null
Customer Name	Text	Field size:50, Not Null
Address	Text	Field size:100
Telephone	Number	Field size:Long Integer

GOLD SELLER TABLE

Field Name	Data Type	Description
GSM ID	Text	Field size:10, No Duplication, Not Null
GSM Name	Text	Field size:50, Duplication, Not Null
Address	Text	Field size:100
Telephone	Number	Field size:Long Integer

BROKER TABLE

Field Name	Data Type	Description
Bro ID	Text	Field size:10, No Duplication, Not Null
Bro Name	Text	Field size:50, Duplication, Not Null
Address	Text	Field size:100
Telephone	Number	Field size:Long Integer

STOCK TABLE

Field Name	Data Type	Description
Item ID	Text	Field size:10, No Duplication, Not Null
Item Name	Text	Field size:30, Duplication, Not Null
Weight	Number	Field size:4,2
Gold price	Number	Field size:8,2
Made by	Text	Field size:20,
Status	Text	Field size:10,
Stone ID	Text	Field size:4, Duplication, Foreign key
Carat	Number	Field size:2
Date in	Date/Time	Field size:Long Date
Date out	Date/Time	Field size:Long Date
GSM ID	Text	Field size:10, Duplication, Foreign key
Bro ID	Text	Field size:10, Duplication, Foreign key
Voucher No	Text	Field size:10, Duplication, Foreign key

Field Name	Data Type	Description
Voucher No	Text	Field size:10, Duplication, Not Null
Item ID	Text	Field size:10, Duplication, Not Null
Sale Cost	Number	Field size:8,2
Salesman ID	Text	Field size:10, Duplication, Not Null
Customer ID	Text	Field size:10, Duplication,
Weight	Number	Field size:4,2

Field Name	Data Type	Description
Voucher No	Text	Field size:10, Duplication, Not Null
Pay date	Date/Time	Field size:Long Date, Duplication, Not Null
Pay Mode ID	Text	Field size:2, Duplication, Not Null
Pay Amount	Number	Field size:8,2

Field Name	Data Type	Description
Voucher No	Text	Field size:10, No Duplication, Not Null
Balance	Number	Field size:6,2

Field Name	Data Type	Description
Pay Mode ID	Text	Field size:2, No Duplication, Not Null
Description	Text	Field size:10,

Field Name	Data Type	Description
GSM ID	Text	Field size:10, Duplication, Not Null
Issue date	Date/Time	Field size:Long Date, Duplication, Not Null
Issue gold	Number	Field size:4,2

Field Name	Data Type	Description
GSM ID	Text	Field size:10, Duplication, Not Null
Receive date	Date/Time	Field size:Long Date, Duplication, Not Null
Receive gold	Number	Field size:4,2

Field Name	Data Type	Description
Order Voucher No	Text	Field size:10, No Duplication, Not Null
Order date	Date/Time	Field size:Long Date, Duplication, Not Null
Customer ID	Text	Field size:10, Duplication, Not Null, Foreign Key
Deliver date	Date/Time	Field size:Long Date, Duplication, Not Null
Design Ref	Text	Field size:50

Field Name	Data Type	Description
Voucher No	Text	Field size:10, Duplication, Foreign key, Not Null
Item No	Number	Field size:10, Duplication, Foreign key, Not Null
Weight Of Gold	Number	Field size:4,2
Carat	Number	Field size:2
Stone ID	Text	Field size:4, Duplication, Foreign key
Cost of Gold	Number	Field size:8,2
GSM ID	Text	Field size:10, Duplication, Foreign key, Not Null

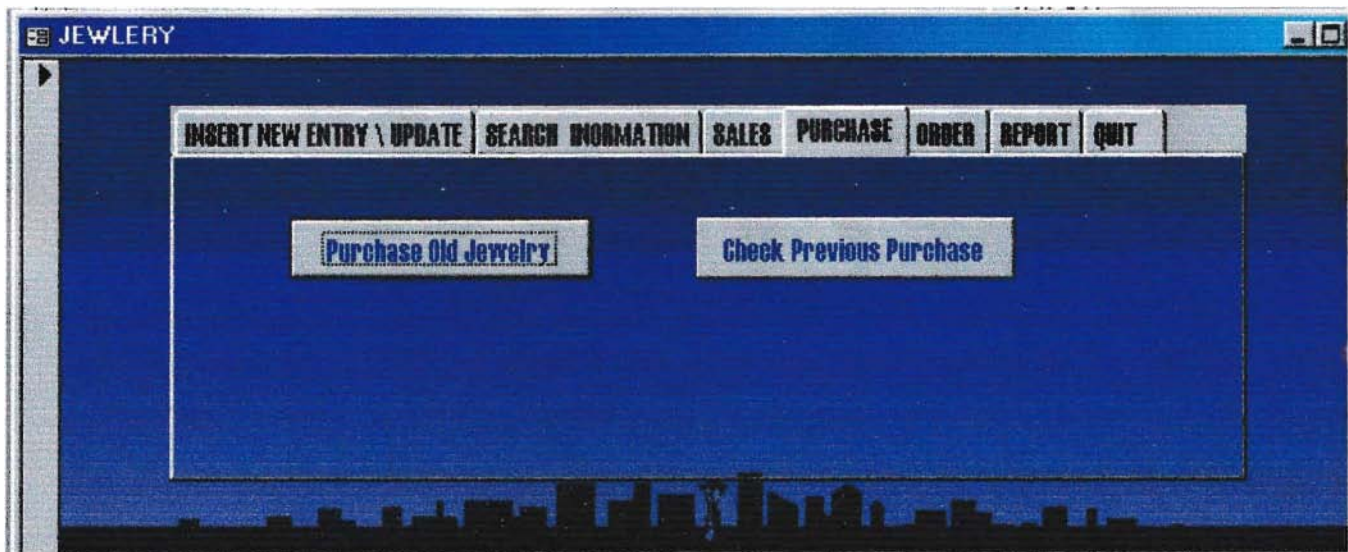
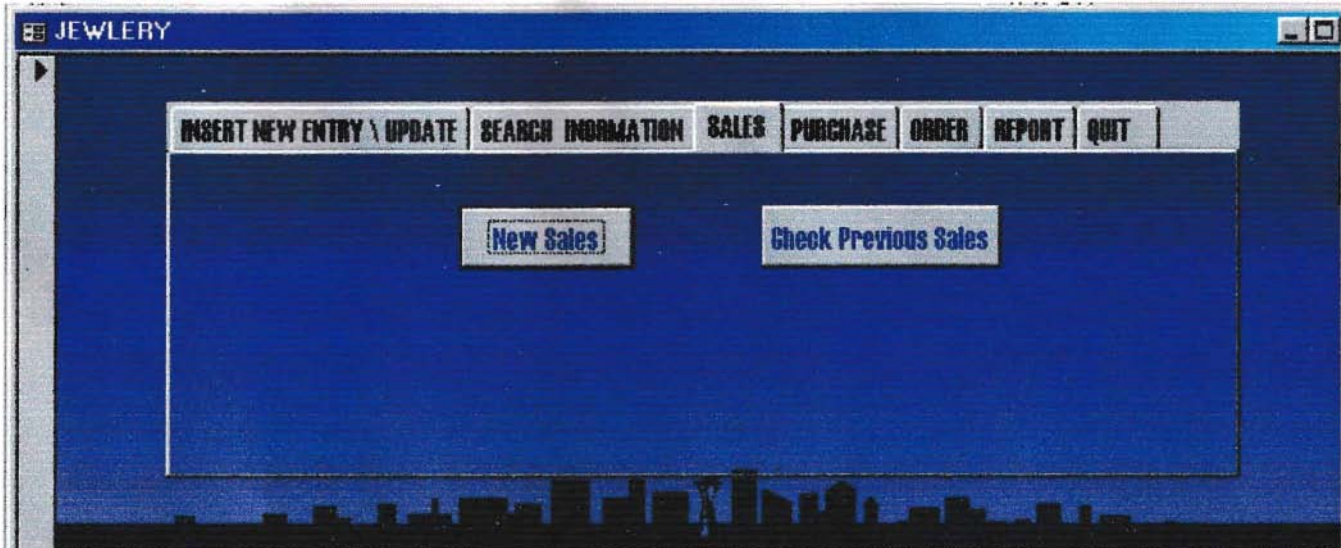
Field Name	Data Type	Description
Price	Number	Field size: 6,2

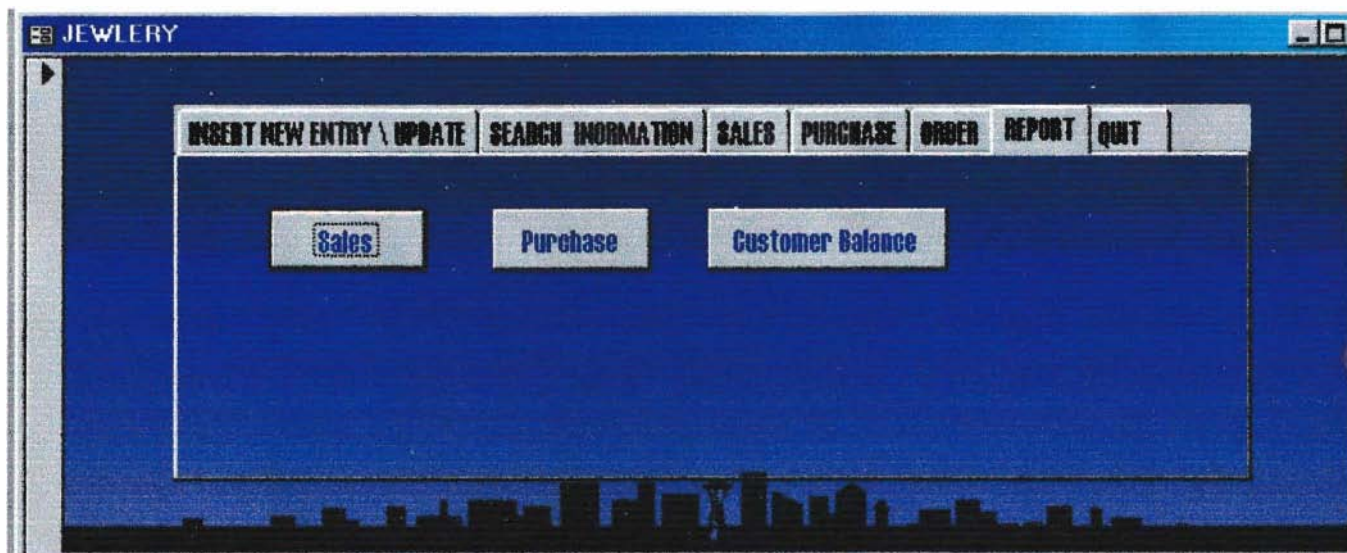
Field Name	Data Type	Description
Old Item ID	Text	Field size:10, No Duplication, Not Null
Voucher No	Text	Field size:10, Duplication,
Weight of Gold	Number	Field size:4,2
Price of Gold	Number	Field size:8,2
Stone ID	Text	Field size:4, Duplication, Foreign key
Made by	Text	Field size:20,
Carat	Number	Field size:2,
Date in	Date/Time	Field size:Long Date
Date out	Date/Time	Field size:Long Date

STONE : TABLE			
Field Name	Data Type	Description	
Stone ID	Text	Field size:4, No Duplication, Not Null	
Stone Name	Text	Field size:30, Duplication, Not Null	
Stone Color	Text	Field size:30, Duplication, Not Null	
Weight	Number	Field size:4,2	

SALESMAN : TABLE			
Field Name	Data Type	Description	
Salesman ID	Text		
Salesman Name	Text		
Address	Memo		
Telephone	Number		

Main Screen





INSERT NEW ENTRY \ UPDATE | SEARCH INFORMATION | SALES | PURCHASE | ORDER | REPORT | QUIT

Quit without saving

Quit with saving

Ok

Forms

NEW CUSTOMER ENTRY

Customer ID

Customer Name

Address

Telephone

Add Record **Update** **Save** **Close**

CUSTOMER TABLE

	Field Name	Data Type	Description
🔑	Customer ID	Text	Field size:30, No Duplication, Not Null
	Customer Name	Text	Field size:50, Not Null
	Address	Text	Field size:100
▶	Telephone	Number	Field size:Long Integer

NEW STOCK

Item ID

Item Name

Weight 0

Gold price 0

Made by

Status

Stone ID

Carat 0

Date in

Broker ID

GSM ID

Add Record **Update** **Save** **Close**

STOCK : TABLE

Field Name	Data Type	Description
Item ID	Text	Field size:10, No Duplication, Not Null
Item Name	Text	Field size:30, Duplication, Not Null
Weight	Number	Field size:4,2
Gold price	Number	Field size:8,2
Made by	Text	Field size:20,
Status	Text	Field size:10,
Stone ID	Text	Field size:4, Duplication, Foreign key
Carat	Number	Field size:2
Date in	Date/Time	Field size:Long Date
Date out	Date/Time	Field size:Long Date
GSM ID	Text	Field size:10, Duplication, Foreign key
Bro ID	Text	Field size:10, Duplication, Foreign key
Voucher No	Text	Field size:10, Duplication, Foreign key

GOLD PRICE

Price

GOLD PRICE : TABLE

Field Name	Data Type	Description
Price	Number	Field size: 6,2

ISSUE GOLD

GSM ID

Issue date

Issue gold

ISSUE GOLD : TABLE

Field Name	Data Type	Description
GSM ID	Text	Field size:10, Duplication, Not Null
Issue date	Date/Time	Field size:Long Date, Duplication, Not Null
Issue gold	Number	Field size:4,2

RECEIVE GOLD

GSM ID

Receive date

Receive gold

Add Record **Update** **Close**

RECEIVE GOLD: TABLE

	Field Name	Data Type	Description
🔑	GSM ID	Text	Field size:10, Duplication, Not Null
🔑	Receive date	Date/Time	Field size:Long Date, Duplication, Not Null
	Receive gold	Number	Field size:4.2

CUSTOMER

Balance

Customer ID

Customer Name

Address

Telephone

Find Record **Close**

CUSTOMER

Balance

Cus
Cus
Add

Balance

Record: 1

Telephone

Find Record **Close**

SALE MASTER: TABLE

Field Name	Data Type	Description
Voucher No	Text	Field size:10,Duplication, Not Null
Item ID	Text	Field size:10, Duplication, Not Null
Sale Cost	Number	Field size:8,2
Salesman ID	Text	Field size:10, Duplication, Not Null
Customer ID	Text	Field size:10, Duplication,
Weight	Number	Field size:4,2

SALE SUMMARY: TABLE

Field Name	Data Type	Description
Voucher No	Text	Field size:10, No Duplication, Not Null
Balance	Number	Field size:6,2

CUSTOMER: TABLE

Field Name	Data Type	Description
Customer ID	Text	Field size:10, No Duplication, Not Null
Customer Name	Text	Field size:50, Not Null
Address	Text	Field size:100
Telephone	Number	Field size:Long Integer

BROKER

Item ID

Record: 1 of 1

SEARCH **CLOSE**

BROKER - TABLE

Field Name	Data Type	Description
Bro ID	Text	Field size:10, No Duplication, Not Null
Bro Name	Text	Field size:50, Duplication, Not Null
Address	Text	Field size:100
Telephone	Number	Field size:Long Integer

STOCK - TABLE

Field Name	Data Type	Description
Item ID	Text	Field size:10, No Duplication, Not Null
Item Name	Text	Field size:30, Duplication, Not Null
Weight	Number	Field size:4,2
Gold price	Number	Field size:8,2
Made by	Text	Field size:20,
Status	Text	Field size:10,
Stone ID	Text	Field size:4, Duplication, Foreign key
Carat	Number	Field size:2
Date in	Date/Time	Field size:Long Date
Date out	Date/Time	Field size:Long Date
GSM ID	Text	Field size:10, Duplication, Foreign key
Bro ID	Text	Field size:10, Duplication, Foreign key
Voucher No	Text	Field size:10, Duplication, Foreign key

STOCK

Item ID Broker ID

Item Name Voucher No

Weight 0

Gold price 0

Made by

Status

Stone ID

Carat 0

Date in

Date out

GSM ID

SARCH DELETE CLOSE

STOCK : TABLE

Field Name	Data Type	Description
Item ID	Text	Field size:10, No Duplication, Not Null
Item Name	Text	Field size:30, Duplication, Not Null
Weight	Number	Field size:4,2
Gold price	Number	Field size:8,2
Made by	Text	Field size:20,
Status	Text	Field size:10,
Stone ID	Text	Field size:4, Duplication,Foreign key
Carat	Number	Field size:2
Date in	Date/Time	Field size:Long Date
Date out	Date/Time	Field size:Long Date
GSM ID	Text	Field size:10, Duplication,Foreign key
Bro ID	Text	Field size:10, Duplication,Foreign key
Voucher No	Text	Field size:10, Duplication,Foreign key

SALES MAN

Sale Master

Salesman ID

Salesman Name

Address

Telephone

Find Record Delete Close

SALES MAN

Sale Master

Salesman ID

Salesman Name

Address

Telephone

Find Record Delete Close

SALE MASTER

Voucher No	Item ID	Sale Cost	Customer ID	Weight
<input type="text"/>	<input type="text"/>	<input type="text" value="0"/>	<input type="text"/>	<input type="text" value="0"/>

Record: 1 of 1

SALE MASTER: TABLE

Field Name	Data Type	Description
Voucher No	Text	Field size:10,Duplication, Not Null
Item ID	Text	Field size:10, Duplication, Not Null
Sale Cost	Number	Field size:8,2
Salesman ID	Text	Field size:10, Duplication, Not Null
Customer ID	Text	Field size:10, Duplication,
Weight	Number	Field size:4,2

SALES MAN: TABLE

Field Name	Data Type	Description
Salesman ID	Text	
Salesman Name	Text	
Address	Memo	
Telephone	Number	

GOLD SMITH

GSM ID

GSM Name

Address

Telephone

Stock

Item ID
<input type="text"/>

Record: 14 | | of 1

Find Record **Close**

GOLD SMITH: TABLE

Field Name	Data Type	Description
GSM ID	Text	Field size:10, No Duplication, Not Null
GSM Name	Text	Field size:50, Duplication, Not Null
Address	Text	Field size:100
Telephone	Number	Field size:Long Intger

STOCK: TABLE

Field Name	Data Type	Description
Item ID	Text	Field size:10, No Duplication, Not Null
Item Name	Text	Field size:30, Duplication, Not Null
Weight	Number	Field size:4,2
Gold price	Number	Field size:8,2
Made by	Text	Field size:20,
Status	Text	Field size:10,
Stone ID	Text	Field size:4, Duplication, Foreign key
Carat	Number	Field size:2
Date in	Date/Time	Field size:Long Date
Date out	Date/Time	Field size:Long Date
GSM ID	Text	Field size:10, Duplication, Foreign key
Bro ID	Text	Field size:10, Duplication, Foreign key
Voucher No	Text	Field size:10, Duplication, Foreign key

Order

Voucher No

Order date

Customer ID

Deliver date

Design Ref

Search **Close**

ORDER ITEM

Item No	Weight Of Gold	Carat	Stone	Cost of Gold	GSM ID
<input type="text"/>	0	0		0	

Record: 1 of 1

Order date

Customer ID

Deliver date

Design Ref

Search **Close**

CUSTOMER ORDER TABLE

Field Name	Data Type	Description
Order Voucher No	Text	Field size:10, No Duplication, Not Null
Order date	Date/Time	Field size:Long Date, Duplication, Not Null
Customer ID	Text	Field size:10, Duplication, Not Null, Foreign Key
Deliver date	Date/Time	Field size:Long Date, Duplication, Not Null
Design Ref	Text	Field size:50

ORDER ITEM TABLE

Field Name	Data Type	Description
Voucher No	Text	Field size:10, Duplication, Foreign key, Not Null
Item No	Number	Field size:10, Duplication, Foreign key, Not Null
Weight Of Gold	Number	Field size:4, 2
Carat	Number	Field size:2
Stone ID	Text	Field size:4, Duplication, Foreign key
Cost of Gold	Number	Field size:8, 2
GSM ID	Text	Field size:10, Duplication, Foreign key, Not Null

SALE

Voucher No

Item ID

Sale Cost

Salesman ID


Customer ID

Weight

Pay Date

Pay Mode ID

Pay Amount

Add Record **Save**  **Close**

SALE MASTER: TABLE

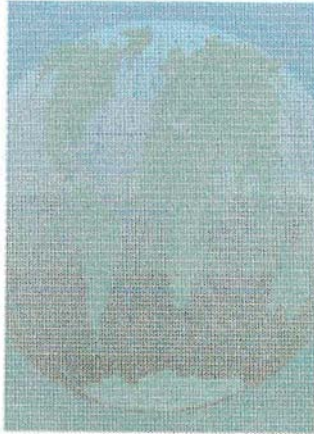
Field Name	Data Type	Description
Voucher No	Text	Field size:10, Duplication, Not Null
Item ID	Text	Field size:10, Duplication, Not Null
Sale Cost	Number	Field size:8,2
Salesman ID	Text	Field size:10, Duplication, Not Null
Customer ID	Text	Field size:10, Duplication,
Weight	Number	Field size:4,2

SALE DETAIL: TABLE

Field Name	Data Type	Description
Voucher No	Text	Field size:10, Duplication, Not Null
Pay date	Date/Time	Field size:Long Date, Duplication, Not Null
Pay Mode ID	Text	Field size:2, Duplication, Not Null
Pay Amount	Number	Field size:8,2

Sale Summary

<i>Vo. No.</i>	<i>Balance</i>	<i>Sale Cost</i>	<i>Salesman</i>	<i>Customer</i>	<i>Weight</i>	<i>Item</i>	<i>Carat</i>	<i>Date out</i>	<i>Stone Name</i>
----------------	----------------	------------------	-----------------	-----------------	---------------	-------------	--------------	-----------------	-------------------



PREVIOUS SALES

Voucher No

Item ID

Sale Cost 0

Salesman ID

Customer ID


Weight 0

Balance

Pay Date

Pay Mode ID

Pay Amount

Search  Close

SALE MASTER : TABLE

Field Name	Data Type	Description
Voucher No	Text	Field size:10,Duplication, Not Null
Item ID	Text	Field size:10, Duplication, Not Null
Sale Cost	Number	Field size:8,2
Salesman ID	Text	Field size:10, Duplication, Not Null
Customer ID	Text	Field size:10, Duplication,
Weight	Number	Field size:4,2

SALE DETAIL : TABLE

Field Name	Data Type	Description
Voucher No	Text	Field size:10, Duplication, Not Null
Pay date	Date/Time	Field size:Long Date, Duplication, Not Null
Pay Mode ID	Text	Field size:2, Duplication, Not Null
Pay Amount	Number	Field size:8,2

SALE SUMMARY : TABLE

Field Name	Data Type	Description
Voucher No	Text	Field size:10, No Duplication, Not Null
Balance	Number	Field size:6,2

Sale Record

Voucher Item ID Sale Cost Salesman ID Customer ID Weight date Pay Mode ID Pay Amount

OLD JEWELRY PURCHASE

Old Item ID

Voucher No

Weight of Gold 0

Price of Gold 0

Stone ID

Made by

Carat 0

Date in

Add Record **Update** **Close**

OLD JEWELRY PURCHASE : TABLE

Field Name	Data Type	Description
Old Item ID	Text	Field size:10, No Duplication, Not Null
Voucher No	Text	Field size:10, Duplication,
Weight of Gold	Number	Field size:4,2
Price of Gold	Number	Field size:8,2
Stone ID	Text	Field size:4, Duplication,Foreign key
Made by	Text	Field size:20,
Carat	Number	Field size:2,
Date in	Date/Time	Field size:Long Date
Date out	Date/Time	Field size:Long Date

OLD JEWELRY

Old Item ID

Voucher No

Weight of Gold

Price of Gold

Stone ID

Made by

Carat

Date in

Date out

Find Record **Close**

OLD JEWELRY PURCHASE : TABLE

	Field Name	Data Type	Description
💡	Old Item ID	Text	Field size:10, No Duplication, Not Null
	Voucher No	Text	Field size:10, Duplication,
	Weight of Gold	Number	Field size:4,2
	Price of Gold	Number	Field size:8,2
	Stone ID	Text	Field size:4, Duplication,Foreign key
	Made by	Text	Field size:20,
▶	Carat	Number	Field size:2,
	Date in	Date/Time	Field size:Long Date
	Date out	Date/Time	Field size:Long Date


Voucher No

Order date

Customer ID

Deliver date

Design Ref

Add Record **Update**  **Close**

Field Name	Data Type	Description
Voucher No	Text	Field size:10, Duplication,Foreign key,Not Null
Item No	Number	Field size:10, Duplication,Foreign key,Not Null
Weight Of Gold	Number	Field size:4,2
Carat	Number	Field size:2
Stone ID	Text	Field size:4, Duplication,Foreign key
Cost of Gold	Number	Field size:8,2
GSM ID	Text	Field size:10, Duplication,Foreign key,Not Null

Order

Voucher No

Order date Customer ID

Deliver date Design Ref



Sales Report

Todays Sals Report

Current Month Sales Report

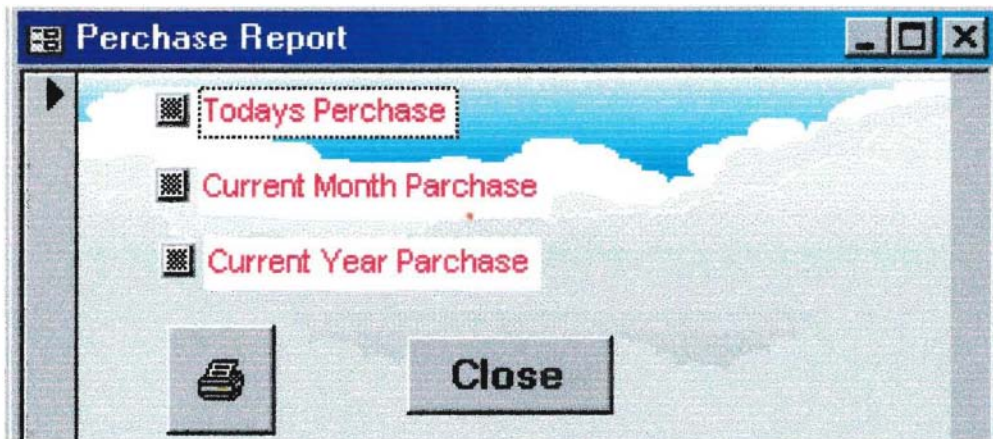
Current Year Sales Report



Close

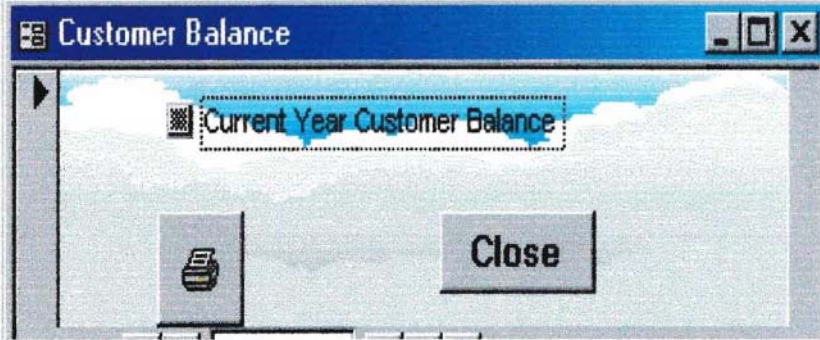
Sale Record

<i>Voucher</i>	<i>Item ID</i>	<i>Sale Cost</i>	<i>Salesman ID</i>	<i>Customer ID</i>	<i>Weight</i>	<i>date</i>	<i>Pay Mode ID</i>	<i>Pay Amount</i>
----------------	----------------	------------------	--------------------	--------------------	---------------	-------------	--------------------	-------------------



Old Jewelry Purchase

<i>Old Item ID</i>	<i>Vo. No</i>	<i>Weight</i>	<i>Price</i>	<i>Stone ID</i>	<i>Made by</i>	<i>Carat</i>	<i>Date in</i>	<i>Date out</i>
--------------------	---------------	---------------	--------------	-----------------	----------------	--------------	----------------	-----------------



Customer

<i>Customer ID</i>	<i>Customer Name</i>	<i>Address</i>	<i>Telephone</i>	<i>Balance</i>
--------------------	----------------------	----------------	------------------	----------------

Conclusion:

The jewelry shop experienced so many problems with the previous manual system. Keeping those problems in mind, the new information system is designed. It will eliminate all apparent errors and difficulties and it will also have the flexibility to update over time that so many softwares do not have. The new system currently only lacks the option of accounting and gold purchase. But this system has the flexibility to add these two options if the shop finds it very necessary for them. Besides, if the shop want to have business in a chain, they can use the software to get support from network. It can be used to create web page and it can also be used to carry out E-COMMERCE.

According to our view, this new proposed system will go a long way to further the business of the jewelry shop. We hope all the best for the people of that shop and also for the business.

Development Platform:

1. Windows 95, 98.
2. Visual Basic connected with MS Access.
3. MS Access.
4. Hardware Pentium II IBM compatible.

